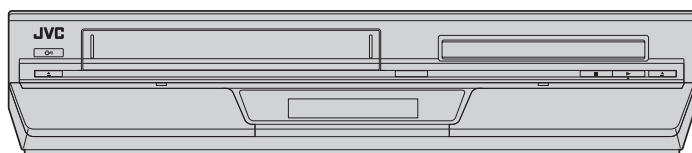


JVC

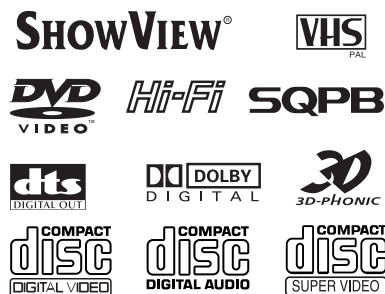
SERVICE MANUAL

DVD PLAYER & VIDEO CASSETTE RECORDER

HR-XV32EX, HR-XV32EY, HR-XV32EZ



HR-XV32EX, HR-XV32EY, HR-XV32EZ [D3PV1]



For disassembling and assembling of MECHANISM ASSEMBLY, refer to the SERVICE MANUAL No.86700 (MECHANISM ASSEMBLY).
Regarding service information other than these sections, refer to the service manual No. YD002 (HR-XV3EX).
Also, be sure to note important safety precautions provided in the service manual.

TABLE OF CONTENTS

1	PRECAUTION.....	1-3
2	SPECIFIC SERVICE INSTRUCTIONS.....	1-3
3	DISASSEMBLY.....	1-3
4	ADJUSTMENT.....	1-3
5	TROUBLESHOOTING.....	1-3

SPECIFICATION

GENERAL	
Power requirement	AC 220V - 240V, 50 Hz/60 Hz
Power consumption	
Power on	26 W
Power off	6.0 W
Temperature	
Operating	5°C to 40°C
Storage	-20°C to 60°C
Operating position	Horizontal only
Dimensions (W × H × D)	435 mm × 93 mm × 272 mm
Weight	4.4 Kg
Format	VHS PAL standard
Maximum recording time	
(SP)	240 min. with E-240 video cassette
(LP)	480 min. with E-240 video cassette
VIDEO/AUDIO (VHS deck)	
Signal system	PAL-type colour signal and CCIR monochrome signal, 625 lines/50 fields
Recording system	DA4 (Double Azimuth) head helical scan system
Signal-to-noise ratio	45 dB
Horizontal resolution	250 lines
Frequency range	70 Hz to 10,000 Hz (Normal audio) 20 Hz to 20,000 Hz (Hi-Fi audio)
Input/Output	21-pin SCART connectors: IN/OUT × 1, IN/DECODER × 1 RCA connectors: VIDEO IN × 1, AUDIO IN × 1, AUDIO OUT × 1
VIDEO/AUDIO (DVD deck)	
Signal system	PAL
Applicable disc	DVD (12 cm, 8 cm), CD (12 cm, 8 cm)
Audio characteristics	DVD:4 Hz - 22 KHz
Frequency response	CD:4 Hz - 20 KHz
S/N Ratio	90 dB
Wow and flutter	Below Measurable Level
Dynamic range	90 dB
Output	
Audio	(RCA) 2 Vrms, 1 KΩ
Digital Audio	-21 dBm to -15 dBm(peak)
TUNER/TIMER(VHS deck)	
TV channel storage capacity	99 positions (+AUX position)
Tuning system	Frequency synthesized tuner
Channel coverage	VHF : 47 MHz - 89 MHz/104 MHz - 300 MHz/302 MHz - 470 MHz UHF : 470 MHz - 862 MHz
Aerial output	UHF channels 22 - 69 (Adjustable)
Memory backup time	Approx. 10 min.
ACCESSORIES	
Provided accessories	RF cable, Infrared remote control unit, "R6" battery × 2

Specifications shown are for SP mode unless otherwise specified.

E. & O.E. Design and specifications subject to change without notice.

Manufactured under license from Dolby Laboratories. "Dolby" and the double-D symbol are trademarks of Dolby Laboratories.

"DTS" and "DTS Digital Out" are trademarks of Digital Theater Systems, Inc.

SHOWVIEW is a registered trademark of Gemstar Development Corporation. The SHOWVIEW system is manufactured under licence from Gemstar Development Corporation.

SECTION 1 PRECAUTION

Please refer to "HR-XV3EX No.YD002" about this section.

SECTION 2 SPECIFIC SERVICE INSTRUCTIONS

Please refer to "HR-XV3EX No.YD002" about this section except a written item.

2.1 DIFFERENT TABLE OF FEATURE

The following table indicates main different points between models HR-XV3EX, HR-XV32EX, HR-XV32EY and HR-XV32EZ.

	HR-XV3EX	HR-XV32EX/EY/EY
BODY COLOUR	PURE SILVER	BLACK
REMOCON COLOUR	GRAY	BLACK

SECTION 3 DISASSEMBLY

Please refer to "HR-XV3EX No.YD002" about this section.

SECTION 4 ADJUSTMENT

Please refer to "HR-XV3EX No.YD002" about this section except.

SECTION 5 TROUBLESHOOTING

Please refer to "HR-XV3EX No.YD002" about this section.



JVC

Victor Company of Japan, Limited

AV & MULTIMEDIA COMPANY DIGITAL VIDEO STORAGE CATEGORY 12, 3-chome, Moriya-cho, kanagawa-ku, Yokohama, kanagawa-prefecture, 221-8528, Japan

(No.YD031)



Printed in Japan
WPC

PARTS LIST

[HR-XV32EX,HR-XV32EY,HR-XV32EZ]

* SAFETY PRECAUTION

Parts identified by the \triangle symbol are critical for safety. Replace only with specified part numbers.

* BEWARE OF BOGUS PARTS

Parts that do not meet specifications may cause trouble in regard to safety and performance. We recommend that genuine JVC parts be used.

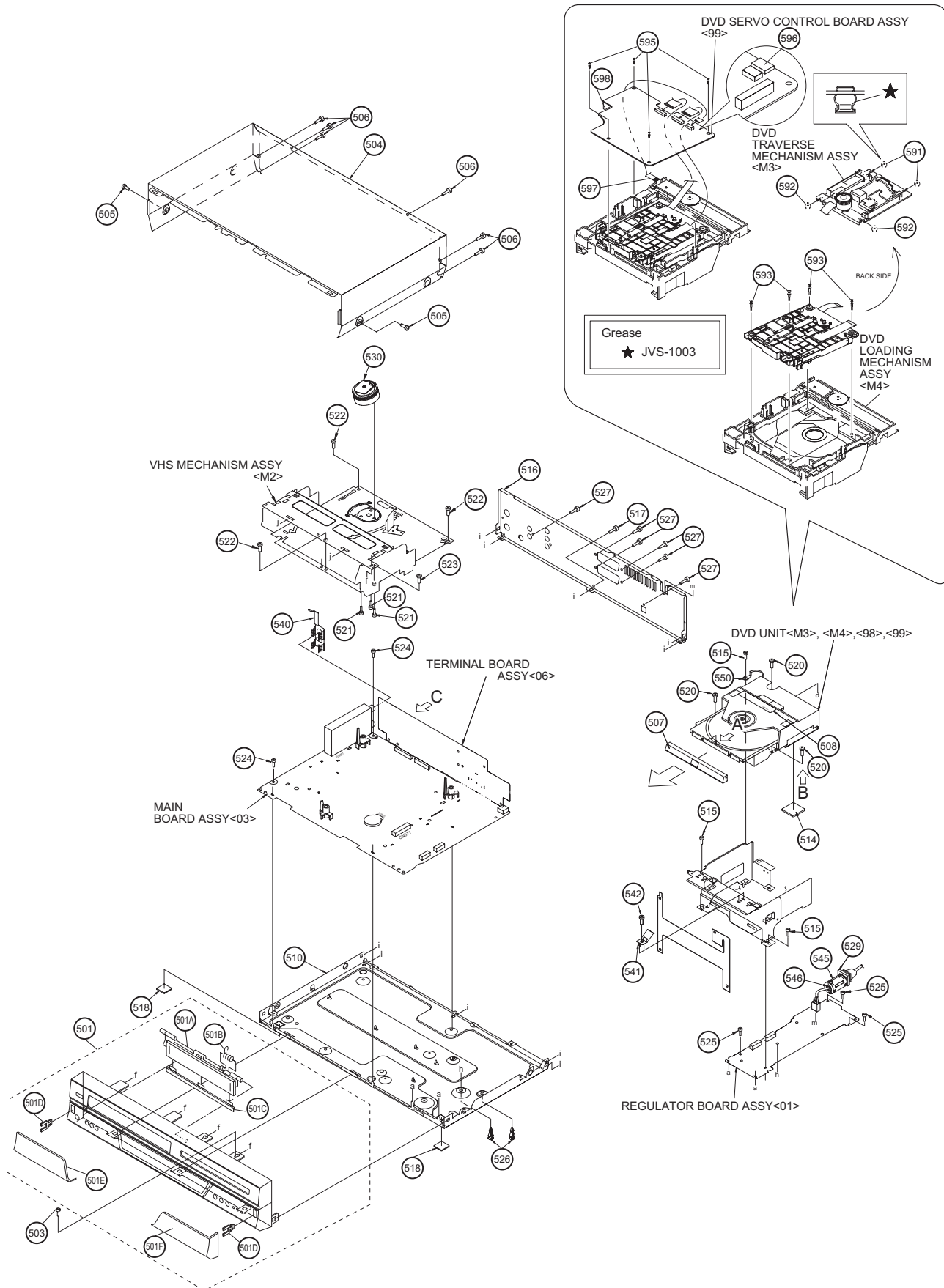
* (x_) in a description column shows the number of the used part.

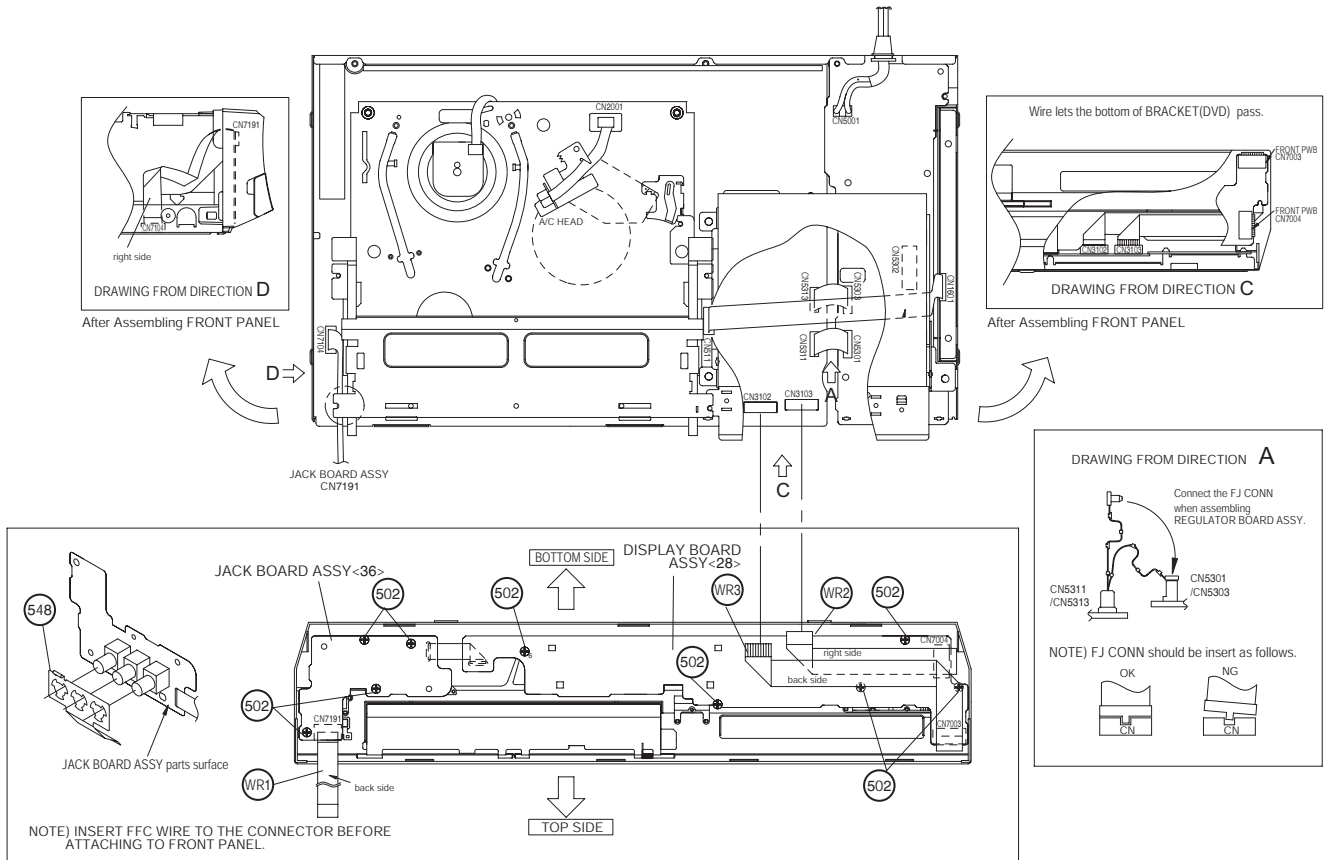
- Contents -

Exploded view of general assembly and parts list	3-2
VHS mechanism assembly and parts list	3-5
DVD Traverse mechanism assembly and parts list	3-8
DVD Loading mechanism assembly and parts list	3-10
Electrical parts list	3-12
Packing materials and accessories parts list	3-23

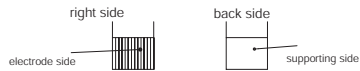
Exploded view of general assembly and parts list

Block No. M1MM

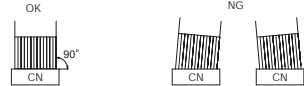




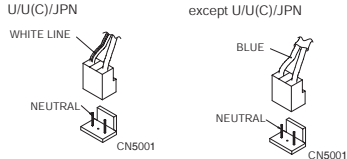
1. Insert direction of FFC WIRE as follows.



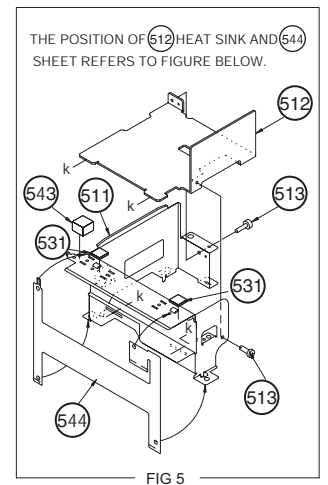
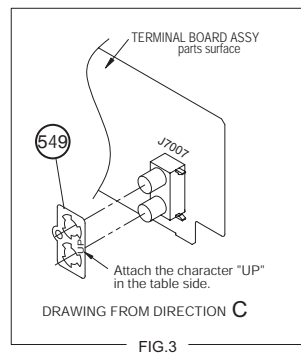
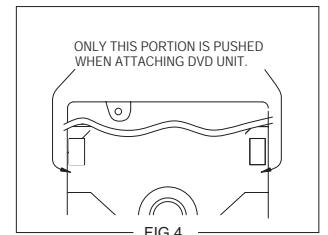
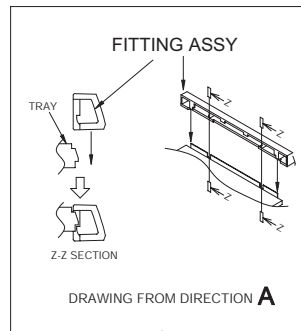
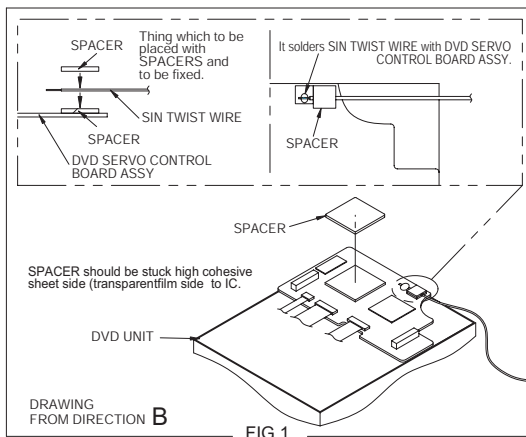
2. FFC WIRE and DRUM FPC WIRE should be insert as follows.



3. Insert direction of POWER CORD.



4. Insert the wire to even the root of connector completely at the same time as inserting each wire.



MODEL	MARK
HR-XV32EX	A
HR-XV32EY	B
HR-XV32EZ	C

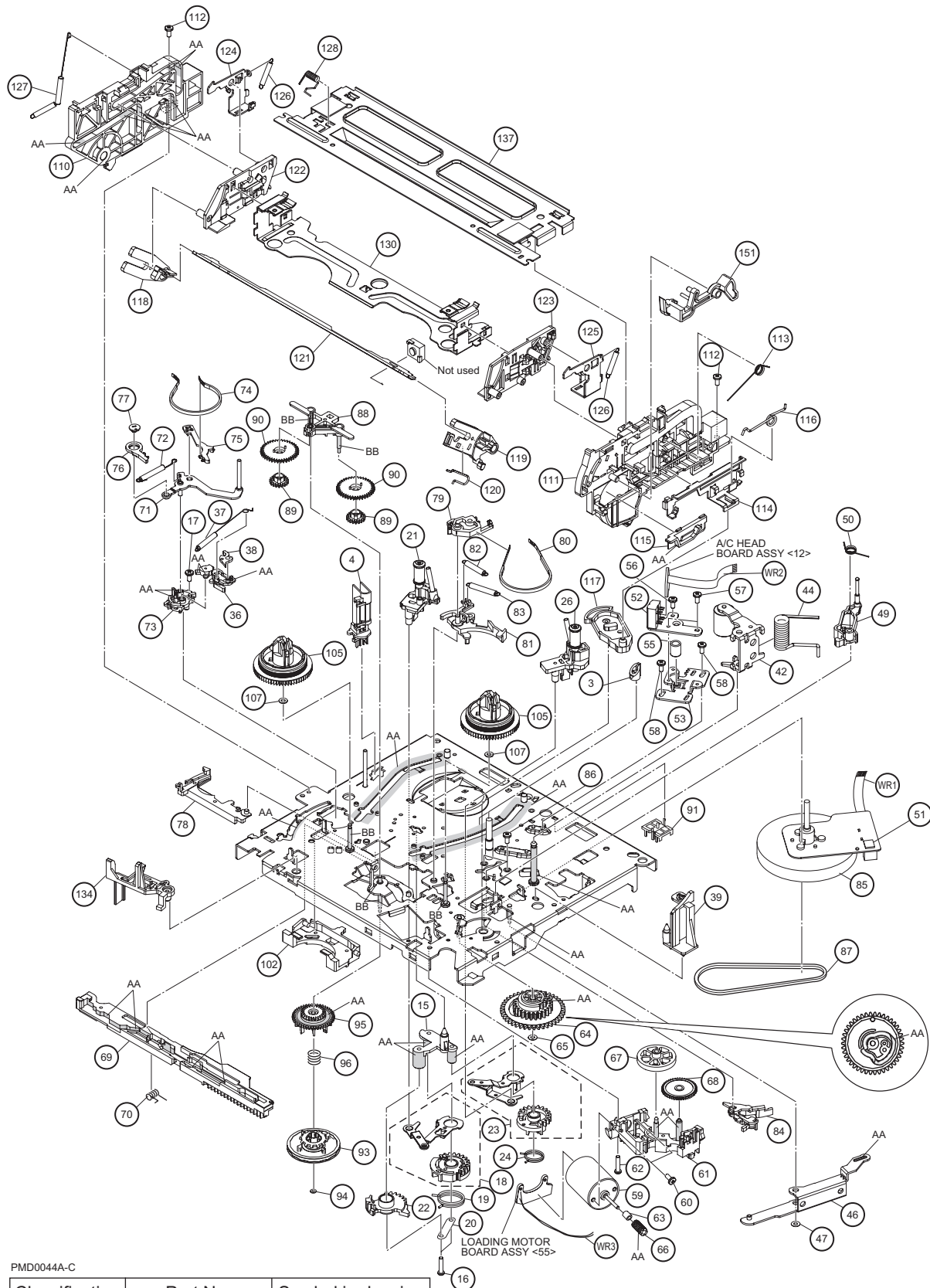
General assembly

Block No. [M][1][M][M]

Symbol No.	Part No.	Part Name	Description	Local
△ 501	LP10490-022A	FRONT PANEL ASSY		
501A	LP21181-003A	CASSETTE DOOR		
501B	PQ46448	TORSION SPRING		
501C	LP31271-002B	ORNAMENT(C.DOOR)		
501D	PU60109	CATCHER		(x2)
501E	LP21191-022A	DOOR(L)		
501F	LP21192-005A	DOOR(R)		
502	QYDSF2608ZA	TAP SCREW	M2.6 x 8mm JACK/DISPLAY(x9)	
503	LP31391-001A	SPECIAL SCREW	FRONT PANEL	
△ 504	LP10488-004C	TOP COVER		
505	QYSBSG3006MA	TAP SCREW	M3 x 6mm TOP SIDE(x2)	
506	QYSBSG3006MA	TAP SCREW	M3 x 6mm TOP REAR(x6)	
507	LP31261-003A	FITTING ASSY		
△ 508	LP41077-001A	LABEL(CAUTION)		
△ 510	LP10489-001B	BOTTOM CHASSIS		
511	LP21177-001B	BRACKET(DVD)		
512	LP21182-001A	HEAT SINK		
513	QYSDST3006ZA	TAP SCREW	M3 x 6mm HEAT SINK(x2)	
514	LP40769-001A	SPACER		
515	LP31391-001A	SPECIAL SCREW	BRACKET(DVD)(x3)	
△ 516	LP21178-012A	REAR COVER		
517	QYSBSG3006MA	TAP SCREW	M3 x 6mm REAR COVER	
518	LP31348-001A	FOOT	(x2)	
520	QYSBSG3010ZA	TAP SCREW	M3 x 10mm DVD(x3)	
521	QYSPSPD3008ZA	SCREW	M3 x 8mm DRUM(x3)	
522	LP31391-002A	SPECIAL SCREW	MECHANISM(x3)	
523	LP31391-001A	SPECIAL SCREW	HOUSING	
524	LP31391-001A	SPECIAL SCREW	MAIN(x2)	
525	LP31391-001A	SPECIAL SCREW	REGULATOR(x3)	
526	LP40696-008A	HOLDER(PWB)	(x2)	
527	QYDSF3008MA	TAP SCREW	M3 x 8mm JACK COVER(x6)	
△ 529	QMP4A10-170-K	POWER CORD(US/CA)	1.7m BLACK	
530	PDV2539B	DRUM FINAL ASSY		
531	LP30002-0E5A	SPACER	(x2)	
540	PQ21623-2-5	EARTH PLATE(RF)		
541	PQ44695-1-1	EARTH PLATE		
542	LP31391-001A	SPECIAL SCREW	EARTH PLATE	
543	LP40983-001A	SHIELD TIGHT		
544	LP31306-001A	SHEET(SHIELD)		
545	QQR0491-002	CORE FILTER	TDK (BLACK)	
546	PU43192-4	BINDER		
548	LP31337-001B	EARTH PLATE		
549	LP31345-001A	EARTH PLATE		
550	QUB221-10A4XL	SIN TWIST WIRE		
591	LE40900-003A	INSULATOR	REAR (x2)	
592	LE40900-005A	INSULATOR	FRONT (x2)	
593	LE40901-001A	SPECIAL SCREW	(x4)	
595	QYDSF2608Z	TAP SCREW	M2.6 x 8mm(x4)	
596	VYSH101-034	SPACER		
597	QUQ110-0518BF	FFC WIRE	5pin 18cm	
598	LE30001-034A	SPACER		
WR1	QUQ112-0714CG	FFC WIRE	JACK CN7191-MAIN CN7104	
WR2	QUQ112-1414CG	FFC WIRE	DISPLAY CN7004-MAIN CN3103	
WR3	QUQ112-1422CG	FFC WIRE	DISPLAY CN7003-MAIN CN3102	

VHS mechanism assembly and parts list

Block No. M2MM



PMD0044A-C

Classification	Part No.	Symbol in drawing
Grease	KYODO-SH-JB	AA
Oil	COSMO-HV56	BB

NOTE:The section marked in **AA** and **BB** indicate lubrication and greasing areas.

MODEL	MARK
HR-XV32EX	A
HR-XV32EY	B
HR-XV32EZ	C

VHS mechanism

Block No. [M][2][M][M]

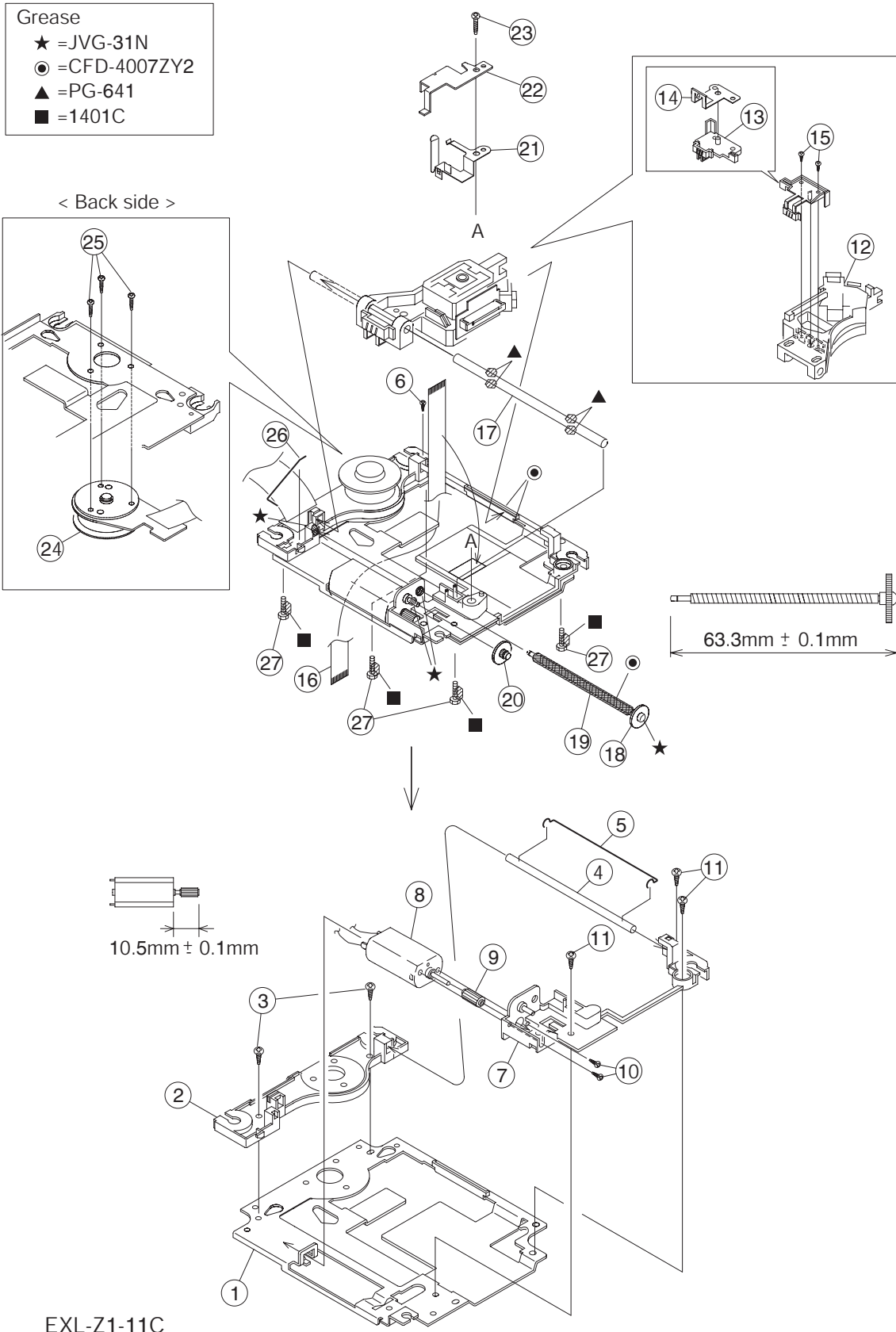
Symbol No.	Part No.	Part Name	Description	Local
3	LP40097-002E	GUIDE POLE CAP		
4	NAH0004-001	FULL ERASE HEAD		
15	LP30958-001B	LOADING GEAR BASE		
16	QYTPST2620ZA	TAP SCREW	M2.6 x 20mm(x2)	
17	QYTDST2606ZA	TAP SCREW	M2.6 x 6mm	
18	LP40798-002A	LOADING GEAR(SUPPLY) ASSY		
19	LP40837-001A	TORSION SPRING(SUPPLY)		
20	LP40903-004A	FIXING PLATE		
21	LP40806-001D	POLE BASE ASSY(SUPPLY)		
22	LP30959-001B	LOADING GEAR		
23	LP40802-002A	LOADING GEAR(TAKE UP) ASSY		
24	LP40838-001A	TORSION SPRING(TAKE UP)		
26	LP40808-001E	POLE BASE ASSY(TAKE UP)		
36	LP21055-001G	TAKE UP LEVER		
37	LP40943-001A	TENSION SPRING		
38	LP40859-001D	T-UP HEAD		
39	LP30961-001C	LID GUIDE		
42	LP40810-003A	PINCH ROLLER ARM ASSY		
44	LP40840-001E	TORSION SPRING		
46	LP30963-002A	PRESS LEVER		
47	PQM30017-24	SLIT WASHER		
49	LP40813-001D	GUIDE ARM ASSY		
50	LP40841-001A	TORSION SPRING		
51	LP30002-090A	SPACER		
52	NAH0003-001	A/C HEAD		
53	LP30965-003A	HEAD BASE		
55	LP40842-001D	COMPRESSION SPRING		
56	QYTDST2006MA	TAP SCREW	M2 x 6mm	
57	LP41036-002A	A/C ADJ.SCREW	(x2)	
58	QYTDST2606ZA	TAP SCREW	M2.6 x 6mm(x2)	
59	QAR0289-001	LOADING MOTOR		
60	QYTPSP3003ZA	SCREW	M3 x 3mm(x2)	
61	LP21056-002J	MOTOR BRACKET		
62	QYTPST2620ZA	TAP SCREW	M2.6 x 20mm	
63	LP40814-001B	WORM BEARING		
64	LP21044-001E	CONTROL CAM		
65	PQM30017-24	SLIT WASHER		
66	LP40815-001A	WORM GEAR		
67	LP40816-001B	HELICAL GEAR		
68	LP40817-001A	CONNECT GEAR		
69	LP10400-001N	CONTROL PLATE		
70	LP40843-001A	TORSION SPRING		
71	LP40818-002A	TENSION ARM ASSY		
72	LP40844-001F	TENSION SPRING		
73	LP21045-001E	TENSION ARM BASE		
74	LP40821-001A	TENSION BAND ASSY		
75	LP30967-001B	BAND HOLDER-1		
76	LP30968-001C	BAND HOLDER-2		
77	LP40822-002B	ADJUST PIN		
78	LP31000-005E	TENSION ARM LEVER		
79	LP21046-001C	MAIN BRAKE(TAKE UP)		
80	LP40824-001A	BAND BRAKE ASSY		
81	LP30969-002B	BRAKE LEVER		
82	LP30003-033C	TENSION SPRING		
83	LP30003-035C	TENSION SPRING		
84	LP40825-001B	CAPSTAN BRAKE ASSY		
△ 85	QAR0267-003	CAPSTAN MOTOR		
86	QYTPSG2606ZA	TAP SCREW	M2.6 x 6mm(x3)	
87	LP30005-010A	BELT	CAPSTAN MOTOR	
88	LP30970-001A	IDLER ARM		
89	LP40828-004A	IDLER GEAR 1	(x2)	
90	LP40829-002A	IDLER GEAR 2	(x2)	
91	LP31014-002A	WIRE HOLDER		
93	LP40934-001B	CLUTCH UNIT		
94	PQM30017-47	SLIT WASHER		
95	LP30973-001A	DIRECT GEAR		
96	LP40939-001A	COMPRESSION SPRING		
102	LP30974-001C	CHANGE LEVER		
105	LP21049-001A	REEL DISK	(x2)	
107	LP30017-004A	SPACER	REEL DISK(x2)	
110	LP10401-001L	SIDE FRAME(L)		
111	LP10402-001M	SIDE FRAME(R)		
112	QYTDST2606ZA	TAP SCREW	M2.6 x 6mm(x2)	
113	LP40917-001D	TORSION SPRING		
114	LP30976-002B	SIDE PLATE		
115	LP30977-002E	LIMIT PLATE		
116	LP40846-001C	LIMIT SPRING		
117	LP31100-002A	DRIVE LEVER		
118	LP30978-001B	DRIVE ARM(L)		

MODEL	MARK
HR-XV32EX	A
HR-XV32EY	B
HR-XV32EZ	C

△ Symbol No.	Part No.	Part Name	Description	Local
119	LP30979-001S	DRIVE ARM(R)		
120	LP40847-001B	TORSION SPRING		
121	LP30980-002A	CONNECT PLATE		
122	LP10403-001C	SIDE HOLDER(L)		
123	LP10404-001E	SIDE HOLDER(R)		
124	LP30983-002A	LOCK LEVER(L)		
125	LP30984-002A	LOCK LEVER(R)		
126	LP40924-001D	TENSION SPRING		(x2)
127	LP40972-001A	EARTH SPRING(1)		
128	LP40857-001B	EARTH SPRING(2)		
130	LP30981-003B	CASSETTE HOLDER ASSY		
134	LP21051-002C	REC SAFETY LEVER		
137	LP21052-002A	TOP FRAME		
151	LP30985-002M	DOOR OPENER		
WR1	WJT0117-001A	E-CARD WIRE		DRUM
WR2	WJT0067-001B	E-CARD WIRE		A/C HEAD CN2001
WR3	WJS0022-001A	E-FL/RB WIRE		LOADING MOTOR

DVD Traverse mechanism assembly and parts list

Block No. M3MM



MODEL	MARK
HR-XV32EX	A
HR-XV32EY	B
HR-XV32EZ	C

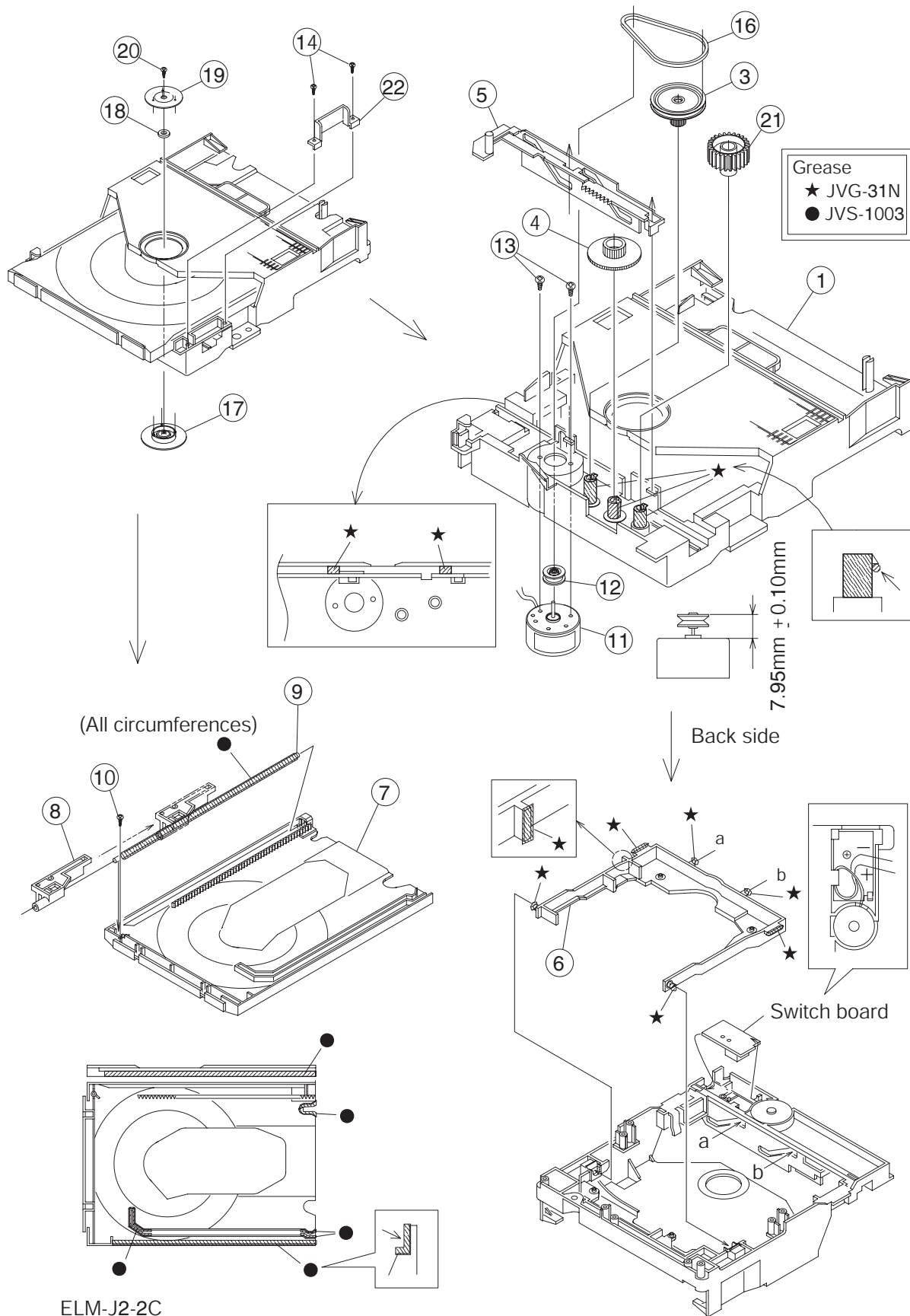
DVD Traverse mechanism

Block No. [M][3][M][M]

△ Symbol No.	Part No.	Part Name	Description	Local
1	LE20729-001A	MECHA BASE		
2	LE20731-001A	SPINDLE BASE		
3	QYSDST2604M	TAP SCREW		M2.6 x 4mm(x2)
4	LE40931-001A	SHAFT		
5	LE40995-001A	BAR SPRING		
6	QYSPSTU2080M	TAP SCREW		M2 x 8mm
7	LE20730-002A	FEED HOLDER		
8	QAR0165-001	FEED MOTOR		
9	LV41510-001A	FEED GEAR T		
10	QYSPSPU2040M	SCREW		M2 x 4mm(x2)
11	QYSDST2604M	TAP SCREW		M2.6 x 4mm(x3)
12	QAL0577-001	PICK UP		
13	LE20732-001A	SW ACTUATOR		
14	LE31093-001A	LEAD SPRING		
15	QYSPSFU1740Z	TAP SCREW		M1.7 x 4mm(x2)
16	QUQ105-2415AC	FFC WIRE		24pin 15cm
17	LE40931-001A	SHAFT		
18	LE40855-002A	FEED GEAR E		
19	LE40918-001A	LEAD SCREW		
20	LE40930-001A	FEED GEAR M		
21	LE40928-002A	THURUST SPRING		
22	LE40927-002A	PLATE		
23	QYSDST2614Z	TAP SCREW		M2.6 x 14mm
24	QAR0324-001	S.MOTOR		
25	QYSPSPU1760Z	SCREW		M1.7 x 6mm(x3)
26	LE40994-001A	T.SPRING		
27	LE40858-002A	SPECIAL SCREW		(x4)

DVD Loading mechanism assembly and parts list

Block No. M4MM



MODEL	MARK
HR-XV32EX	A
HR-XV32EY	B
HR-XV32EZ	C

DVD Loading mechanism

Block No. [M][4][M][M]

△ Symbol No.	Part No.	Part Name	Description	Local
1	LE10275-006A	LOADING BASE		
3	LE31043-001A	PULLEY GEAR		
4	LE31042-001A	MIDDLE GEAR		
5	LE20665-005A	SLIDE CAM		
6	LE20666-003A	ELEVATOR		
7	LE10276-002A	TRAY		
8	LE31045-001A	BUSHING		
9	LE40898-001A	SHAFT		
10	QYSSSF2008Z	TAP SCREW		M2 x 8mm
11	QAR0197-001	MOTOR		
12	LV42087-002A	MOTOR PULLEY		
13	QYSPSPU1730Z	SCREW		FOR MOTOR(x2)
14	QYSDSF2008Z	TAP SCREW		M2 x 8mm(x2)
16	LE40897-001A	BELT		
17	LE31046-003A	CLAMPER		
18	LV42930-003A	MAGNET		
19	LE40899-001A	YOKE		
20	LE40906-001A	SPECIAL SCREW		
21	LE31044-001A	IDLE GEAR		
22	LE40937-003A	LEAF SPRING		

MODEL	MARK
HR-XV32EX	A
HR-XV32EY	B
HR-XV32EZ	C

Electrical parts list

Reglator board

Block No. [0][1]

△ Symbol No.	Part No.	Part Name	Description	Local
PW1	LPA10206-11D1	REGULATOR BOARD ASSY		
IC5201	UTCTL431-T	IC		
IC5201	or MM1431AT-T	IC		
IC5201	or L5431-T	IC		
IC5201	or TL431/A-T	IC		
IC5301	UTCTL431-T	IC		
IC5301	or MM1431AT-T	IC		
IC5301	or L5431-T	IC		
IC5301	or TL431/A-T	IC		
IC5302	MM1565AF-X	IC		
Q5101	2SK2632-CB14	POWER MOS FET		
Q5102	2SD2144S/UW-T	TRANSISTOR		
Q5103	2SB709A/QR/-X	TRANSISTOR		
Q5103	or 2SA1037AK/QR/-X	TRANSISTOR		
Q5311	2SC5739/QP/	TRANSISTOR		
Q5315	2SC5739/QP/	TRANSISTOR		
Q5315	or 2SD2394/EF/	TRANSISTOR		
D5001	D3SBA60	DIODE		
D5001	or GBJ4J	BRIDGE DIODE		
D5101	AU01-T2	SI DIODE		
D5102	AU01-T2	SI DIODE		
D5103	1SS133-T2	DIODE		
D5103	or 1SS270A-T2	SI DIODE		
D5105	1SS133-T2	DIODE		
D5105	or 1SS270A-T2	SI DIODE		
D5106	MTZJ33D-T2	Z DIODE		
D5106	or RD33ES/B4/-T2	Z DIODE		
D5201	10ERB40-T2	FR DIODE		
D5201	or 1F4G-T2	FR DIODE		
D5205	1F4G-T2	FR DIODE		
D5205	or 10ERB20-T2	FR DIODE		
D5206	1F4G-T2	FR DIODE		
D5206	or 10ERB20-T2	FR DIODE		
D5208	SB240-F26	SB DIODE		
D5208	or RK14LF-B2	SBD		
D5208	or 21DQ04-F	SBD		
D5209	PG104RS-T2	FR DIODE		
D5209	or 10ERB20-T2	FR DIODE		
D5209	or 1F4G-T2	FR DIODE		
D5209	or AU01Z-T2	FR DIODE		
D5209	or 1SR153-400-T2	FR DIODE		
D5210	PG104RS-T2	FR DIODE		
D5210	or 10ERB20-T2	FR DIODE		
D5210	or 1F4G-T2	FR DIODE		
D5210	or AU01Z-T2	FR DIODE		
D5210	or 1SR153-400-T2	FR DIODE		
D5215	D1FS4A-X	SB DIODE		
D5216	D1FS4A-X	SB DIODE		
D5301	MTZJ15C-T2	Z DIODE		
D5301	or RD15ES/B3/-T2	Z DIODE		
D5302	1SS133-T2	DIODE		
D5302	or 1SS270A-T2	SI DIODE		
△ D5303	MTZJ27C-T2	Z DIODE		
△ D5303	or RD27ES/B3/-T2	Z DIODE		
D5310	MTZJ10B-T2	Z DIODE		
D5310	or RD10ES/B2/-T2	Z DIODE		
△ PC5101	PC123Y22	PHOTO COUPLER		
△ C5001	QFZ9077-683	MPP CAPACITOR	0.068uF 275V M	
△ C5002	QFZ9073-223	MM CAPACITOR	0.022uF AC250V M	
△ C5003	QCZ9071-101	C CAPACITOR	100pF AC400V K	
△ C5004	QCZ9079-222	C CAPACITOR	2200pF AC250V M	
C5006	QEZ0374-826	E CAPACITOR	82uF 400V M	
C5101	QCZ0336-330Z	C CAPACITOR	33pF 1kV J	
C5102	QCZ0333-47Z	C CAPACITOR	4700pF 1kV K	
C5104	QETN1HM-105Z	E CAPACITOR	1uF 50V M	
C5105	QFLC1HJ-183Z	M CAPACITOR	0.018uF 50V J	
C5106	NCB31HK-271X	C CAPACITOR	270pF 50V K	

△ Symbol No.	Part No.	Part Name	Description	Local
	C5107	QFVF1HJ-104Z	MF CAPACITOR	0.1uF 50V J
	C5201	QFVF1HJ-154Z	MF CAPACITOR	0.15uF 50V J
	C5202	QEMU1AM-567Z	E CAPACITOR	560uF 10V M
	C5203	QEMX0JM-227Z	E CAPACITOR	220uF 6.3V M
	C5204	QEMU1AM-567Z	E CAPACITOR	560uF 10V M
	C5205	QEMU1CM-397Z	E CAPACITOR	390uF 16V M
	C5206	QEMU1AM-567Z	E CAPACITOR	560uF 10V M
	C5207	QETN2AM-475Z	E CAPACITOR	4.7uF 100V M
	C5208	QEMU1HM-186Z	E CAPACITOR	18uF 50V M
	C5209	QETN1AM-107Z	E CAPACITOR	100uF 10V M
	C5210	QETN1CM-107Z	E CAPACITOR	100uF 16V M
	C5211	QETN1AM-107Z	E CAPACITOR	100uF 10V M
	C5301	NCB31EK-103X	C CAPACITOR	0.01uF 25V K
	C5306	NCF31AZ-105X	C CAPACITOR	1uF 10V Z
	C5307	NCB31HK-471X	C CAPACITOR	470pF 50V K
	C5309	QETN1AM-107Z	E CAPACITOR	100uF 10V M
	C5310	QETN1AM-107Z	E CAPACITOR	100uF 10V M
	C5311	QETN1AM-107Z	E CAPACITOR	100uF 10V M
	C5312	QETN1AM-107Z	E CAPACITOR	100uF 10V M
	C5313	QETN1AM-107Z	E CAPACITOR	100uF 10V M
	C5314	QETN1CM-107Z	E CAPACITOR	100uF 16V M
	R5101	QRE141J-224Y	C RESISTOR	220kΩ 1/4W J
	R5102	QRE141J-224Y	C RESISTOR	220kΩ 1/4W J
	R5103	QRE141J-683Y	C RESISTOR	68kΩ 1/4W J
	R5104	QRG02GJ-683	OMF RESISTOR	68kΩ 2W J
	R5106	QRT01DJ-R27X	MF RESISTOR	0.27Ω 1W J
	R5107	QRE121J-331Y	C RESISTOR	330Ω 1/2W J
	R5108	NRSA63J-222X	MG RESISTOR	2.2kΩ 1/16W J
	R5109	NRSA63J-681X	MG RESISTOR	680Ω 1/16W J
	R5110	NRSA63J-224X	MG RESISTOR	220kΩ 1/16W J
	R5111	NRSA63J-681X	MG RESISTOR	680Ω 1/16W J
	R5112	NRSA63J-221X	MG RESISTOR	220Ω 1/16W J
	R5113	NRSA63J-104X	MG RESISTOR	100kΩ 1/16W J
	R5201	NRSA63J-221X	MG RESISTOR	220Ω 1/16W J
	R5202	NRSA63J-102X	MG RESISTOR	1kΩ 1/16W J
	R5203	NRSA63J-102X	MG RESISTOR	1kΩ 1/16W J
	R5204	NRSA63D-332X	MG RESISTOR	3.3kΩ 1/16W D
	R5205	NRSA63D-123X	MG RESISTOR	12kΩ 1/16W D
	R5206	NRSA63D-332X	MG RESISTOR	3.3kΩ 1/16W D
	R5302	NRSA63J-102X	MG RESISTOR	1kΩ 1/16W J
	R5305	NRSA63J-3R3X	MG RESISTOR	3.3Ω 1/16W J
	R5306	NRSA63J-2R2X	MG RESISTOR	2.2Ω 1/16W J
	R5307	NRSA63J-2R2X	MG RESISTOR	2.2Ω 1/16W J
	R5317	NRSA63J-473X	MG RESISTOR	47kΩ 1/16W J
△ R5318	QRZ9005-470X	FUSI RESISTOR	47Ω 1/4W G	
	R5319	NRSA63J-560X	MG RESISTOR	56Ω 1/16W J
	R5320	NRSA63D-153X	MG RESISTOR	15kΩ 1/16W D
	R5321	NRSA63D-473X	MG RESISTOR	47kΩ 1/16W D
	R5325	NRSA63J-101X	MG RESISTOR	100Ω 1/16W J
	L5201	PELN1184	CHOKO COIL	
	L5202	PELN1184	CHOKO COIL	
	L5203	PELN1184	CHOKO COIL	
	L5301	QQL29BJ-220Z	P COIL	22uH J
	L5302	QQL231J-220Y	COIL	22uH J
	L5303	QQL231J-220Y	COIL	22uH J
△ T5001	QQS0219-001	SW TRANSF		
△ CN5001	QGA7901C3-02	CONNECTOR		W-B (1-2)
	CN5301	QGB1231L1-11	CONNECTOR	B-B (1-11)
	CN5302	QGB2027MA-22	CONNECTOR	B-B (1-22)
	CN5303	QGB1231L1-11	CONNECTOR	B-B (1-11)
△ CP5301	QMFZ050-1R5X-E	FUSE		1.5A 125V
△ CP5302	QMFZ050-1R5X-E	FUSE		1.5A 125V
△ F5001	QMF51W2-2R0-J8	FUSE		2A AC250V
	FC5001	QNG0020-001Z	FUSE CLIP	
	FC5002	QNG0020-001Z	FUSE CLIP	
	HS1	LP40621-001A	HEAT SINK	Q5101
	K5101	QQR0678-001Z	FERRITE BEADS	
△ LF5002	QQR0608-001	LINE FILTER		
	OT1	QYTDST3008Z	TAP SCREW	M3 x 8mm Q5101
	W5306	QRE142J-0R0X	C RESISTOR	0Ω 1/4W J

MODEL	MARK
HR-XV32EX	A
HR-XV32EY	B
HR-XV32EZ	C

Main board

Block No. [0][3]

△ Symbol No.	Part No.	Part Name	Description	Local
PW1	LPA10215-03C	MAIN BOARD ASSY		
IC1	JCP8060-MSA	IC		
IC201	LC74776-9791	IC		
△ IC2201	AN3651FBP	IC		
IC3001	HD6432194SAD71F	IC(MCU)	MASK	
IC3002	IC-PST3427U-X	IC		
IC3003	LPN0833-004E-14	IC(EEPROM)	*(REFER TO BELOW)	
IC6701	MSP3417GQGB8V3X	IC		
IC6701	or MSP3417G-X	IC		
IC8001	HA17558AF-X	IC		
IC8001	or RC4558D-X	IC		
Q7	2SC2412K/QRS/-X	TRANSISTOR		
Q7	or 2SD601A/QRS/-X	TRANSISTOR		
Q7	or 2SC3928A/QRS/-X	TRANSISTOR		
Q8	2SC2412K/QRS/-X	TRANSISTOR		
Q8	or 2SD601A/QRS/-X	TRANSISTOR		
Q8	or 2SC3928A/QRS/-X	TRANSISTOR		
Q9	2SC2412K/QRS/-X	TRANSISTOR		
Q9	or 2SD601A/QRS/-X	TRANSISTOR		
Q9	or 2SC3928A/QRS/-X	TRANSISTOR		
Q10	2SC2412K/QRS/-X	TRANSISTOR		
Q10	or 2SD601A/QRS/-X	TRANSISTOR		
Q10	or 2SC3928A/QRS/-X	TRANSISTOR		
Q2001	2SC2412K/QRS/-X	TRANSISTOR		
Q2001	or 2SD601A/QRS/-X	TRANSISTOR		
Q2001	or 2SC3928A/QRS/-X	TRANSISTOR		
Q2002	2SC2412K/QRS/-X	TRANSISTOR		
Q2002	or 2SD601A/QRS/-X	TRANSISTOR		
Q2002	or 2SC3928A/QRS/-X	TRANSISTOR		
Q2003	DTA144WKA-X	TRANSISTOR		
Q2003	or UN211E-X	DIGI TRANSISTOR		
Q2051	2SC2412K/QRS/-X	TRANSISTOR		
Q2051	or 2SD601A/QRS/-X	TRANSISTOR		
Q2051	or 2SC3928A/QRS/-X	TRANSISTOR		
Q2052	2SA1037AK/QR/-X	TRANSISTOR		
Q2052	or 2SB709A/QR/-X	TRANSISTOR		
Q2052	or 2SA1530A/QR/-X	TRANSISTOR		
Q2053	DTC144WKA-X	DIGI TRANSISTOR		
Q2053	or UN221E-X	TRANSISTOR		
Q2054	2SA1037AK/QR/-X	TRANSISTOR		
Q2054	or 2SB709A/QR/-X	TRANSISTOR		
Q2054	or 2SA1530A/QR/-X	TRANSISTOR		
Q2055	DTC144WKA-X	DIGI TRANSISTOR		
Q2055	or UN221E-X	TRANSISTOR		
Q2201	DTA144WKA-X	TRANSISTOR		
Q2201	or UN211E-X	DIGI TRANSISTOR		
Q2202	DTC144WKA-X	DIGI TRANSISTOR		
Q2202	or UN221E-X	TRANSISTOR		
Q2203	2SC2412K/QRS/-X	TRANSISTOR		
Q2203	or 2SD601A/QRS/-X	TRANSISTOR		
Q2203	or 2SC3928A/QRS/-X	TRANSISTOR		
Q2204	2SC2412K/QRS/-X	TRANSISTOR		
Q2204	or 2SD601A/QRS/-X	TRANSISTOR		
Q2204	or 2SC3928A/QRS/-X	TRANSISTOR		
Q2255	DTC114EKA-X	TRANSISTOR		
Q2255	or UN2211-X	TRANSISTOR		
Q3002	PTZ-NV16A	IC(PHOTO SENSOR)		
Q3003	PTZ-NV16A	IC(PHOTO SENSOR)		
Q3004	2SC2412K/QRS/-X	TRANSISTOR		
Q3004	or 2SD601A/QRS/-X	TRANSISTOR		
Q3004	or 2SC3928A/QRS/-X	TRANSISTOR		
Q3005	2SC2412K/QRS/-X	TRANSISTOR		
Q3005	or 2SD601A/QRS/-X	TRANSISTOR		
Q3005	or 2SC3928A/QRS/-X	TRANSISTOR		
Q3007	DTC144WKA-X	DIGI TRANSISTOR		
Q3007	or UN221E-X	TRANSISTOR		
Q3008	DTC144WKA-X	DIGI TRANSISTOR		
Q3008	or UN221E-X	TRANSISTOR		
Q3401	2SC2412K/QRS/-X	TRANSISTOR		
Q3401	or 2SD601A/QRS/-X	TRANSISTOR		
Q3401	or 2SC3928A/QRS/-X	TRANSISTOR		
Q4001	DTC114EKA-X	TRANSISTOR		

△ Symbol No.	Part No.	Part Name	Description	Local
Q4001	or UN2211-X	TRANSISTOR		
Q5301	2SD2144S/UV/-T	TRANSISTOR		
Q5301	or 2SC3576-JVC-T	TRANSISTOR		
Q5302	DTA114EKA-X	DIGI TRANSISTOR		
Q5302	or UN2111-X	TRANSISTOR		
Q5303	DTC114EKA-X	TRANSISTOR		
Q5303	or UN2211-X	TRANSISTOR		
Q5306	2SD1302/ST/-T	TRANSISTOR		
Q5307	DTA114EKA-X	DIGI TRANSISTOR		
Q5307	or UN2111-X	TRANSISTOR		
Q5308	2SB709A/QR/-X	TRANSISTOR		
Q5308	or 2SA1037AK/QR/-X	TRANSISTOR		
Q5308	or 2SA1530A/QR/-X	TRANSISTOR		
Q5309	DTC114EKA-X	TRANSISTOR		
Q5309	or UN2211-X	TRANSISTOR		
Q5312	DTA114EKA-X	DIGI TRANSISTOR		
Q5312	or UN2111-X	TRANSISTOR		
Q5313	2SC2412K/QRS/-X	TRANSISTOR		
Q5313	or 2SD601A/QRS/-X	TRANSISTOR		
Q5313	or 2SC3928A/QRS/-X	TRANSISTOR		
Q5314	2SC5739/QP/	TRANSISTOR		
Q5314	or 2SD2394/EF/	TRANSISTOR		
Q5316	2SD2144S/UV/-T	TRANSISTOR		
Q5316	or 2SC3576-JVC-T	TRANSISTOR		
Q6030	2SA1037AK/QR/-X	TRANSISTOR		
Q6030	or 2SB709A/QR/-X	TRANSISTOR		
Q6030	or 2SA1530A/QR/-X	TRANSISTOR		
Q6031	DTC114EKA-X	TRANSISTOR		
Q6031	or UN2211-X	TRANSISTOR		
Q6032	DTC114EKA-X	TRANSISTOR		
Q6032	or UN2211-X	TRANSISTOR		
Q8001	2SC2412K/QRS/-X	TRANSISTOR		
Q8001	or 2SD601A/QRS/-X	TRANSISTOR		
Q8001	or 2SC3928A/QRS/-X	TRANSISTOR		
Q8002	2SC2412K/QRS/-X	TRANSISTOR		
Q8002	or 2SD601A/QRS/-X	TRANSISTOR		
Q8002	or 2SC3928A/QRS/-X	TRANSISTOR		
Q8052	2SC2412K/QRS/-X	TRANSISTOR		
Q8052	or 2SD601A/QRS/-X	TRANSISTOR		
Q8052	or 2SC3928A/QRS/-X	TRANSISTOR		
Q8053	DTA114EKA-X	DIGI TRANSISTOR		
Q8053	or UN2111-X	TRANSISTOR		
D201	QRE141J-152Y	C RESISTOR	1.5kΩ 1/4W J	
D202	QRE141J-101Y	C RESISTOR	100Ω 1/4W J	
D203	QRE141J-101Y	C RESISTOR	100Ω 1/4W J	
D2001	1SS133-T2	DIODE		
D2001	or 1SS270A-T2	SI DIODE		
D2251	1SS133-T2	DIODE		
D2251	or 1SS270A-T2	SI DIODE		
D3001	LNB2301L01VI	LED		
D3002	1SS133-T2	DIODE		
D3002	or 1SS270A-T2	SI DIODE		
D3003	RD33ES/B3/-T2	Z DIODE		
D3003	or MTZJ33C-T2	Z DIODE		
D3004	10EDB20-T2	SI DIODE		
D3004	or 1A3G-T2	SI DIODE		
D3005	10EDB20-T2	SI DIODE		
D3005	or 1A3G-T2	SI DIODE		
D3007	1SS355-X	SI DIODE		
D3008	1SS355-X	SI DIODE		
D3401	RD3.6ES/B2/-T2	Z DIODE		
D3401	or MTZJ3.6B-T2	Z DIODE		
D5305	MTZJ11C-T2	Z DIODE		
D5305	or RD11ES/B3/-T2	Z DIODE		
D5306	MTZJ5.6C-T2	Z DIODE		
D5306	or RD5.6ES/B3/-T2	Z DIODE		
D5307	1SS133-T2	DIODE		
D5307	or 1SS270A-T2	SI DIODE		
D6002	HZ30-2LT2	Z DIODE		
D6002	or HZ30-2LTD	Z DIODE		
D6701	1SS133-T2	DIODE		
D6701	or 1SS270A-T2	SI DIODE		
D7301	10EDB20-T2	SI DIODE		
D7301	or 1A3G-T2	SI DIODE		
PC3001	RPI-304J	IC(PHOTO SENSOR)		
PC3002	RPI-304J	IC(PHOTO SENSOR)		

*The VCR goes to jig RCU mode after replacing the EEPROM and the VCR does not accept some RCU command.
Therefore please set the VCR to the user RCU mode after replacing the EEPROM.
The method of setting the VCR to the user RCU mode is written on the service manual.

MODEL	MARK
HR-XV32EX	A
HR-XV32EY	B
HR-XV32EZ	C

△ Symbol No.	Part No.	Part Name	Description	Local	△ Symbol No.	Part No.	Part Name	Description	Local
C1	NDC31HJ-151X	C CAPACITOR	150pF 50V J		C2051	NDC31HJ-331X	C CAPACITOR	330pF 50V J	
C2	NDC31HJ-470X	C CAPACITOR	47pF 50V J		C2052	QFV91HJ-823Z	MF CAPACITOR	0.082uF 50V J	
C4	QEKJ1EM-106Z	E CAPACITOR	10uF 25V M		C2053	NCB31HK-472X	C CAPACITOR	4700pF 50V K	
C5	NCB31CK-104X	C CAPACITOR	0.1uF 16V K		C2054	NCB31EK-223X	C CAPACITOR	0.022uF 25V K	
C6	NCB31CK-104X	C CAPACITOR	0.1uF 16V K		C2055	QEKJ1EM-106Z	E CAPACITOR	10uF 25V M	
C7	NCB31CK-104X	C CAPACITOR	0.1uF 16V K		C2201	QEKJ1EM-106Z	E CAPACITOR	10uF 25V M	
C8	NCF31AZ-105X	C CAPACITOR	1uF 10V Z		C2202	QEKJ1HM-475Z	E CAPACITOR	4.7uF 50V M	
C9	QEKJ1HM-225Z	E CAPACITOR	2.2uF 50V M		C2203	QEKJ1HM-475Z	E CAPACITOR	4.7uF 50V M	
C10	QEKJ0JM-476Z	E CAPACITOR	47uF 6.3V M		C2204	QEKJ0JM-336Z	E CAPACITOR	33uF 6.3V M	
C11	NCF31AZ-105X	C CAPACITOR	1uF 10V Z		C2205	QEKJ1EM-106Z	E CAPACITOR	10uF 25V M	
C12	QEKJ1HM-105Z	E CAPACITOR	1uF 50V M		C2206	QEKJ1EM-106Z	E CAPACITOR	10uF 25V M	
C14	QEKJ1HM-105Z	E CAPACITOR	1uF 50V M		C2207	NCB31EK-153X	C CAPACITOR	0.015uF 25V K	
C15	NCB31CK-104X	C CAPACITOR	0.1uF 16V K		C2208	NCB31EK-153X	C CAPACITOR	0.015uF 25V K	
C17	NCB31CK-104X	C CAPACITOR	0.1uF 16V K		C2209	QEKJ1EM-106Z	E CAPACITOR	10uF 25V M	
C19	NCB31CK-104X	C CAPACITOR	0.1uF 16V K		C2210	QEKJ1EM-106Z	E CAPACITOR	10uF 25V M	
C20	NCB31CK-104X	C CAPACITOR	0.1uF 16V K		C2211	QEKJ0JM-336Z	E CAPACITOR	33uF 6.3V M	
C22	NCB31CK-104X	C CAPACITOR	0.1uF 16V K		C2212	QEKJ0JM-476Z	E CAPACITOR	47uF 6.3V M	
C24	NCB31CK-104X	C CAPACITOR	0.1uF 16V K		C2214	QEKJ1EM-106Z	E CAPACITOR	10uF 25V M	
C25	QEKJ1HM-335Z	E CAPACITOR	3.3uF 50V M		C2215	QEKJ1EM-106Z	E CAPACITOR	10uF 25V M	
C26	QEKJ1EM-106Z	E CAPACITOR	10uF 25V M		C2216	QEKJ1CM-476Z	E CAPACITOR	47uF 16V M	
C27	NCB31EK-103X	C CAPACITOR	0.01uF 25V K		C2218	QEKJ1EM-106Z	E CAPACITOR	10uF 25V M	
C30	NDC31HJ-331X	C CAPACITOR	330pF 50V J		C2219	QEKJ1CM-226Z	E CAPACITOR	22uF 16V M	
C31	QEKJ0JM-476Z	E CAPACITOR	47uF 6.3V M		C2220	QEKJ1EM-106Z	E CAPACITOR	10uF 25V M	
C32	NCB31EK-103X	C CAPACITOR	0.01uF 25V K		C2221	NCB31EK-223X	C CAPACITOR	0.022uF 25V K	
C33	QEKJ1EM-106Z	E CAPACITOR	10uF 25V M		C2222	NCB31EK-103X	C CAPACITOR	0.01uF 25V K	
C34	NCB31EK-103X	C CAPACITOR	0.01uF 25V K		C2223	NCB31CK-473X	C CAPACITOR	0.047uF 16V K	
C35	NCB31EK-103X	C CAPACITOR	0.01uF 25V K		C2224	NCB31CK-473X	C CAPACITOR	0.047uF 16V K	
C36	QEKJ1HM-105Z	E CAPACITOR	1uF 50V M		C2225	NCB30JK-105X	C CAPACITOR	1uF 6.3V K	
C37	NDC31HJ-4R0X	C CAPACITOR	4pF 50V J		C2226	NCB30JK-105X	C CAPACITOR	1uF 6.3V K	
C38	NCB31EK-103X	C CAPACITOR	0.01uF 25V K		C2227	QEKJ1EM-106Z	E CAPACITOR	10uF 25V M	
C39	QEKJ0JM-476Z	E CAPACITOR	47uF 6.3V M		C2230	QEKJ1EM-106Z	E CAPACITOR	10uF 25V M	
C40	NCB31EK-103X	C CAPACITOR	0.01uF 25V K		C2231	QEKJ1EM-106Z	E CAPACITOR	10uF 25V M	
C41	NCB31CK-104X	C CAPACITOR	0.1uF 16V K		C2251	NCB31EK-103X	C CAPACITOR	0.01uF 25V K	
C43	QEKJ1HM-335Z	E CAPACITOR	3.3uF 50V M		C2252	NCB31EK-103X	C CAPACITOR	0.01uF 25V K	
C44	QEKJ1HM-225Z	E CAPACITOR	2.2uF 50V M		C2253	NCB31EK-103X	C CAPACITOR	0.01uF 25V K	
C45	NCB31EK-472X	C CAPACITOR	4700pF 25V K		C2254	QEKJ0JM-476Z	E CAPACITOR	47uF 6.3V M	
C46	NCB31CK-104X	C CAPACITOR	0.1uF 16V K		C2255	NCB31EK-103X	C CAPACITOR	0.01uF 25V K	
C47	QEKJ1HM-474Z	E CAPACITOR	0.47uF 50V M		C2256	NCB31EK-103X	C CAPACITOR	0.01uF 25V K	
C48	NCB31EK-223X	C CAPACITOR	0.022uF 25V K		C2257	NCB31EK-103X	C CAPACITOR	0.01uF 25V K	
C49	QEKJ1HM-475Z	E CAPACITOR	4.7uF 50V M		C2258	NDC31HJ-181X	C CAPACITOR	180pF 50V J	
C56	NCB31CK-104X	C CAPACITOR	0.1uF 16V K		C2259	QEKJ1HM-334Z	E CAPACITOR	0.33uF 50V M	
C57	NCB31EK-103X	C CAPACITOR	0.01uF 25V K		C2261	NDC31HJ-101X	C CAPACITOR	100pF 50V J	
C58	NCB31EK-103X	C CAPACITOR	0.01uF 25V K		C2262	NDC31HJ-101X	C CAPACITOR	100pF 50V J	
C59	NCB31EK-103X	C CAPACITOR	0.01uF 25V K		C3008	NDC31HJ-101X	C CAPACITOR	100pF 50V J	
C60	NCB31HK-103X	C CAPACITOR	0.01uF 50V K		C3011	QETL0JM-338	E CAPACITOR	3300uF 6.3V M	
C61	QEK00JM-476Z	E CAPACITOR	47uF 6.3V M		C3012	QEKJ0JM-476Z	E CAPACITOR	47uF 6.3V M	
C62	QCBB1HK-103Y	C CAPACITOR	0.01uF 50V K		C3015	NCB31CK-104X	C CAPACITOR	0.1uF 16V K	
C63	NCB31EK-103X	C CAPACITOR	0.01uF 25V K		C3016	NCB31EK-473X	C CAPACITOR	0.047uF 25V K	
C64	NCB31EK-103X	C CAPACITOR	0.01uF 25V K		C3020	NDC31HJ-101X	C CAPACITOR	100pF 50V J	
C71	QEKJ1HM-105Z	E CAPACITOR	1uF 50V M		C3021	NDC31HJ-101X	C CAPACITOR	100pF 50V J	
C201	QEKJ0JM-227Z	E CAPACITOR	220uF 6.3V M		C3022	NCB31EK-104X	C CAPACITOR	0.1uF 25V K	
C204	NCB31EK-103X	C CAPACITOR	0.01uF 25V K		C3024	NDC31HJ-120X	C CAPACITOR	12pF 50V J	
C206	NDC31HJ-330X	C CAPACITOR	33pF 50V J		C3025	QAT3725-300Z	TRIM CAPACITOR 30pF	TIMER CLOCK	
C207	NDC31HJ-330X	C CAPACITOR	33pF 50V J		C3026	NCB31EK-103X	C CAPACITOR	0.01uF 25V K	
C209	NCB31AK-474X	C CAPACITOR	0.47uF 10V K		C3027	QEKJ1EM-106Z	E CAPACITOR	10uF 25V M	
C210	NDC31HJ-101X	C CAPACITOR	100pF 50V J		C3030	QEKJ0JM-476Z	E CAPACITOR	47uF 6.3V M	
C211	NDC31HJ-101X	C CAPACITOR	100pF 50V J		C3031	NCB31CK-473X	C CAPACITOR	0.047uF 16V K	
C212	NCB31CK-104X	C CAPACITOR	0.1uF 16V K		C3033	NCB31EK-473X	C CAPACITOR	0.047uF 25V K	
C213	QEKJ1EM-475Z	E CAPACITOR	4.7uF 25V M		C3036	NDC31HJ-180X	C CAPACITOR	18pF 50V J	
C214	NCB31AK-224X	C CAPACITOR	0.22uF 10V K		C3037	NDC31HJ-120X	C CAPACITOR	12pF 50V J	
C215	NCB31AK-224X	C CAPACITOR	0.22uF 10V K		C3040	NCB31EK-103X	C CAPACITOR	0.01uF 25V K	
C217	NDC31HJ-560X	C CAPACITOR	56pF 50V J		C3050	NCF31EZ-104X	C CAPACITOR	0.1uF 25V Z	
C218	QEKJ1HM-105Z	E CAPACITOR	1uF 50V M		C3071	QEKJ1CM-336Z	E CAPACITOR	33uF 16V M	
C222	QEKJ1HM-105Z	E CAPACITOR	1uF 50V M		C3401	NCB31EK-103X	C CAPACITOR	0.01uF 25V K	
C225	QEKJ0JM-227Z	E CAPACITOR	220uF 6.3V M		C4002	NCF31EZ-104X	C CAPACITOR	0.1uF 25V Z	
C2001	QEKJ1HM-475Z	E CAPACITOR	4.7uF 50V M		C4004	QEKJ1CM-226Z	E CAPACITOR	22uF 16V M	
C2002	QEKJ1HM-105Z	E CAPACITOR	1uF 50V M		C4005	NCB21HK-222X	C CAPACITOR	2200pF 50V K	
C2003	QEKJ0JM-476Z	E CAPACITOR	47uF 6.3V M		C4006	QEKJ0JM-476Z	E CAPACITOR	47uF 6.3V M	
C2005	QEKJ1HM-475Z	E CAPACITOR	4.7uF 50V M		C4008	QEQF1HM-105Z	E CAPACITOR	1uF 50V M	
C2006	NCB31EK-682X	C CAPACITOR	6800pF 25V K		C4009	NRSA63J-0R0X	MG RESISTOR	0Ω 1/16W J	
C2007	QEKJ1CM-226Z	E CAPACITOR	22uF 16V M		C4010	NCB31EK-223X	C CAPACITOR	0.022uF 25V K	
C2008	QEKJ1HM-475Z	E CAPACITOR	4.7uF 50V M		C4011	NCB31CK-104X	C CAPACITOR	0.1uF 16V K	
C2009	NCB31HK-122X	C CAPACITOR	1200pF 50V K		C4012	QEKJ1HM-105Z	E CAPACITOR	1uF 50V M	
C2010	NCB31HK-152X	C CAPACITOR	1500pF 50V K		C4014	NDC31HJ-101X	C CAPACITOR	100pF 50V J	
C2011	QEKJ1HM-475Z	E CAPACITOR	4.7uF 50V M		C4015	NCB31HK-102X	C CAPACITOR	1000pF 50V K	
C2012	QEKJ1HM-475Z	E CAPACITOR	4.7uF 50V M		C5303	QETN1HM-225Z	E CAPACITOR	2.2uF 50V M	
C2013	NDC31HJ-331X	C CAPACITOR	330pF 50V J		C5304	QETN1CM-107Z	E CAPACITOR	100uF 16V M	
					C5305	QETN1AM-107Z	E CAPACITOR	100uF 10V M	

MODEL	MARK
HR-XV32EX	A
HR-XV32EY	B
HR-XV32EZ	C

△ Symbol No.	Part No.	Part Name	Description	Local	△ Symbol No.	Part No.	Part Name	Description	Local
C5315	QEKJ1CM-476Z	E CAPACITOR	47uF 16V M		R2203	NRSA63J-473X	MG RESISTOR	47kΩ 1/16W J	
C5316	QEKJ1CM-107Z	E CAPACITOR	100uF 16V M		R2204	NRSA63J-682X	MG RESISTOR	6.8kΩ 1/16W J	
C6005	QEKJ1HM-474Z	E CAPACITOR	0.47uF 50V M		R2205	NRSA63J-473X	MG RESISTOR	47kΩ 1/16W J	
C6037	QEKJ1CM-106Z	E CAPACITOR	10uF 16V M		R2206	NRSA63J-682X	MG RESISTOR	6.8kΩ 1/16W J	
C6707	NDC31HJ-470X	C CAPACITOR	47pF 50V J		R2207	NRSA63J-473X	MG RESISTOR	47kΩ 1/16W J	
C6708	NDC31HJ-8R0X	C CAPACITOR	8pF 50V J		R2208	NRSA63J-682X	MG RESISTOR	6.8kΩ 1/16W J	
C6709	NDC31HJ-8R0X	C CAPACITOR	8pF 50V J		R2209	NRSA63J-681X	MG RESISTOR	680Ω 1/16W J	
C6713	NCF31CZ-224X	C CAPACITOR	0.22uF 16V Z		R2210	NRSA63J-472X	MG RESISTOR	4.7kΩ 1/16W J	
C6714	NCB31HK-222X	C CAPACITOR	2200pF 50V K		R2211	NRSA63J-272X	MG RESISTOR	2.7kΩ 1/16W J	
C6715	QEKJ1HM-225Z	E CAPACITOR	2.2uF 50V M		R2212	NRSA63J-272X	MG RESISTOR	2.7kΩ 1/16W J	
C6716	NCB31HK-222X	C CAPACITOR	2200pF 50V K		R2213	NRSA63J-472X	MG RESISTOR	4.7kΩ 1/16W J	
C6717	QEKJ1HM-225Z	E CAPACITOR	2.2uF 50V M		R2214	NRSA63J-681X	MG RESISTOR	680Ω 1/16W J	
C6719	QEKJ1CM-106Z	E CAPACITOR	10uF 16V M		R2215	NRSA63J-0R0X	MG RESISTOR	0Ω 1/16W J	
C6720	QEKJ1CM-106Z	E CAPACITOR	10uF 16V M		R2216	NRSA63J-122X	MG RESISTOR	1.2kΩ 1/16W J	
C6721	NCB31HK-103X	C CAPACITOR	0.01uF 50V K		R2217	NRSA63J-472X	MG RESISTOR	4.7kΩ 1/16W J	
C6723	NCB31HK-103X	C CAPACITOR	0.01uF 50V K		R2218	NRSA63J-332X	MG RESISTOR	3.3kΩ 1/16W J	
C6725	NCB31HK-103X	C CAPACITOR	0.01uF 50V K		R2219	NRSA63J-122X	MG RESISTOR	1.2kΩ 1/16W J	
C6751	QEKJ0JM-337Z	E CAPACITOR	330uF 6.3V M		R2220	NRSA63J-102X	MG RESISTOR	1kΩ 1/16W J	
C7506	NCB31CK-104X	C CAPACITOR	0.1uF 16V K		R2222	NRSA63J-472X	MG RESISTOR	4.7kΩ 1/16W J	
C7507	QEKJ0JM-107Z	E CAPACITOR	100uF 6.3V M		R2223	NRSA63J-511X	MG RESISTOR	510Ω 1/16W J	
C7508	NCB31CK-104X	C CAPACITOR	0.1uF 16V K		R2224	NRSA63J-511X	MG RESISTOR	510Ω 1/16W J	
C8001	NCB31HK-332X	C CAPACITOR	3300pF 50V K		R2225	NRSA63J-472X	MG RESISTOR	4.7kΩ 1/16W J	
C8002	NCB31HK-332X	C CAPACITOR	3300pF 50V K		R2226	NRSA63J-273X	MG RESISTOR	27kΩ 1/16W J	
C8003	NDC31HJ-471X	C CAPACITOR	470pF 50V J		R2227	NRSA63J-393X	MG RESISTOR	39kΩ 1/16W J	
C8004	NDC31HJ-471X	C CAPACITOR	470pF 50V J		R2228	NRSA63J-273X	MG RESISTOR	27kΩ 1/16W J	
C8005	NDC31HJ-471X	C CAPACITOR	470pF 50V J		R2229	NRSA63J-393X	MG RESISTOR	39kΩ 1/16W J	
C8006	NDC31HJ-471X	C CAPACITOR	470pF 50V J		R2230	NRSA63J-392X	MG RESISTOR	3.9kΩ 1/16W J	
C8007	QEKJ1CM-226Z	E CAPACITOR	22uF 16V M		R2231	NRSA63J-471X	MG RESISTOR	470Ω 1/16W J	
C8008	QEKJ1CM-226Z	E CAPACITOR	22uF 16V M		R2232	NRSA63J-392X	MG RESISTOR	3.9kΩ 1/16W J	
C8009	NCB31HK-222X	C CAPACITOR	2200pF 50V K		R2233	NRSA63J-471X	MG RESISTOR	470Ω 1/16W J	
C8010	NCB31HK-222X	C CAPACITOR	2200pF 50V K		R2234	NRSA63J-101X	MG RESISTOR	100Ω 1/16W J	
C8051	QEKJ1CM-107Z	E CAPACITOR	100uF 16V M		R2235	NRSA63J-681X	MG RESISTOR	680Ω 1/16W J	
C8052	QEKJ1CM-107Z	E CAPACITOR	100uF 16V M		R2236	NRSA63J-272X	MG RESISTOR	2.7kΩ 1/16W J	
R1	NRSA63J-622X	MG RESISTOR	6.2kΩ 1/16W J		R2237	NRSA63J-681X	MG RESISTOR	680Ω 1/16W J	
R2	NRSA63J-152X	MG RESISTOR	1.5kΩ 1/16W J		R2238	NRSA63J-272X	MG RESISTOR	2.7kΩ 1/16W J	
R3	NRSA63J-472X	MG RESISTOR	4.7kΩ 1/16W J		R2239	NRSA63J-471X	MG RESISTOR	470Ω 1/16W J	
R11	NRSA63J-273X	MG RESISTOR	27kΩ 1/16W J		R2240	NRSA63J-471X	MG RESISTOR	470Ω 1/16W J	
R12	NRSA63J-102X	MG RESISTOR	1kΩ 1/16W J		R2241	NRSA63J-473X	MG RESISTOR	47kΩ 1/16W J	
R21	NRSA63J-222X	MG RESISTOR	2.2kΩ 1/16W J		R2242	NRSA63J-682X	MG RESISTOR	6.8kΩ 1/16W J	
R22	NRSA63J-222X	MG RESISTOR	2.2kΩ 1/16W J		R2243	NRSA63J-473X	MG RESISTOR	47kΩ 1/16W J	
R36	NRSA63J-472X	MG RESISTOR	4.7kΩ 1/16W J		R2244	NRSA63J-682X	MG RESISTOR	6.8kΩ 1/16W J	
R37	NRSA63J-153X	MG RESISTOR	15kΩ 1/16W J		R2251	NRSA63J-472X	MG RESISTOR	4.7kΩ 1/16W J	
R38	NRSA63J-685X	MG RESISTOR	6.8MΩ 1/16W J		R2252	NRSA63J-221X	MG RESISTOR	220Ω 1/16W J	
R201	NRSA63J-0R0X	MG RESISTOR	0Ω 1/16W J		R2253	NRSA63J-101X	MG RESISTOR	100Ω 1/16W J	
R202	NRSA63J-103X	MG RESISTOR	10kΩ 1/16W J		R2255	NRSA63J-273X	MG RESISTOR	27kΩ 1/16W J	
R208	NRSA63J-222X	MG RESISTOR	2.2kΩ 1/16W J		R3011	NRSA63J-102X	MG RESISTOR	1kΩ 1/16W J	
R209	NRSA63J-682X	MG RESISTOR	6.8kΩ 1/16W J		R3012	NRSA63J-102X	MG RESISTOR	1kΩ 1/16W J	
R210	NRSA63J-182X	MG RESISTOR	1.8kΩ 1/16W J		R3013	NRSA63J-102X	MG RESISTOR	1kΩ 1/16W J	
R211	NRSA63J-562X	MG RESISTOR	5.6kΩ 1/16W J		R3014	NRSA63J-102X	MG RESISTOR	1kΩ 1/16W J	
R213	NRSA63J-0R0X	MG RESISTOR	0Ω 1/16W J		R3015	NRSA63J-102X	MG RESISTOR	1kΩ 1/16W J	
R216	NRSA63J-103X	MG RESISTOR	10kΩ 1/16W J		R3016	NRSA63J-102X	MG RESISTOR	1kΩ 1/16W J	
R226	NRSA63J-102X	MG RESISTOR	1kΩ 1/16W J		R3017	NRSA63J-102X	MG RESISTOR	1kΩ 1/16W J	
R2003	NRSA63J-101X	MG RESISTOR	100Ω 1/16W J		R3018	NRSA63J-682X	MG RESISTOR	6.8kΩ 1/16W J	
R2005	NRSA63J-153X	MG RESISTOR	15kΩ 1/16W J		R3019	NRSA63J-102X	MG RESISTOR	1kΩ 1/16W J	
R2007	NRSA63J-183X	MG RESISTOR	18kΩ 1/16W J		R3020	NRSA63J-102X	MG RESISTOR	1kΩ 1/16W J	
R2008	NRSA63J-103X	MG RESISTOR	10kΩ 1/16W J		R3021	NRSA63J-102X	MG RESISTOR	1kΩ 1/16W J	
R2010	NRSA63J-123X	MG RESISTOR	12kΩ 1/16W J		R3022	NRSA63J-102X	MG RESISTOR	1kΩ 1/16W J	
R2013	NRSA63J-123X	MG RESISTOR	12kΩ 1/16W J		R3025	NRSA63J-472X	MG RESISTOR	4.7kΩ 1/16W J	
R2014	NRSA63J-394X	MG RESISTOR	390kΩ 1/16W J		R3026	NRSA63J-472X	MG RESISTOR	4.7kΩ 1/16W J	
R2015	NRSA63J-331X	MG RESISTOR	330Ω 1/16W J		R3027	NRSA63J-472X	MG RESISTOR	4.7kΩ 1/16W J	
R2016	NRSA63J-393X	MG RESISTOR	39kΩ 1/16W J		R3029	NRSA63J-102X	MG RESISTOR	1kΩ 1/16W J	
R2017	NRSA63J-183X	MG RESISTOR	18kΩ 1/16W J		R3031	NRSA63J-102X	MG RESISTOR	1kΩ 1/16W J	
R2018	NRSA63J-472X	MG RESISTOR	4.7kΩ 1/16W J		R3032	NRSA63J-102X	MG RESISTOR	1kΩ 1/16W J	
R2019	NRSA63J-472X	MG RESISTOR	4.7kΩ 1/16W J		R3033	NRSA63J-0R0X	MG RESISTOR	0Ω 1/16W J	
R2021	NRSA63J-333X	MG RESISTOR	33kΩ 1/16W J		R3035	NRSA63J-0R0X	MG RESISTOR	0Ω 1/16W J	
R2022	NRSA63J-103X	MG RESISTOR	10kΩ 1/16W J		R3036	NRSA63J-472X	MG RESISTOR	4.7kΩ 1/16W J	
R2023	NRSA63J-103X	MG RESISTOR	10kΩ 1/16W J		R3038	NRSA63J-152X	MG RESISTOR	1.5kΩ 1/16W J	
R2053	NRSA63J-392X	MG RESISTOR	3.9kΩ 1/16W J		R3040	NRSA63J-472X	MG RESISTOR	4.7kΩ 1/16W J	
R2054	NRSA63J-123X	MG RESISTOR	12kΩ 1/16W J		R3041	NRSA63J-0R0X	MG RESISTOR	0Ω 1/16W J	
R2055	NRSA63J-3R3X	MG RESISTOR	3.3Ω 1/16W J		R3042	NRSA63J-102X	MG RESISTOR	1kΩ 1/16W J	
R2056	QRE141J-560Y	C RESISTOR	56Ω 1/4W J		R3044	NRSA63J-0R0X	MG RESISTOR	0Ω 1/16W J	
R2057	NRSA63J-473X	MG RESISTOR	47kΩ 1/16W J		R3046	NRSA63J-102X	MG RESISTOR	1kΩ 1/16W J	
R2058	NRSA63J-183X	MG RESISTOR	18kΩ 1/16W J		R3047	NRSA63J-102X	MG RESISTOR	1kΩ 1/16W J	
R2059	NRSA63J-473X	MG RESISTOR	47kΩ 1/16W J		R3048	NRSA63J-102X	MG RESISTOR	1kΩ 1/16W J	
R2060	NRSA63J-183X	MG RESISTOR	18kΩ 1/16W J		R3049	NRSA63J-0R0X	MG RESISTOR	0Ω 1/16W J	
R2201	NRSA63J-473X	MG RESISTOR	47kΩ 1/16W J		R3050	NRSA63J-0R0X	MG RESISTOR	0Ω 1/16W J	
R2202	NRSA63J-682X	MG RESISTOR	6.8kΩ 1/16W J		R3051	NRSA63J-102X	MG RESISTOR	1kΩ 1/16W J	
					R3052	NRSA63J-471X	MG RESISTOR	470Ω 1/16W J	

MODEL	MARK
HR-XV32EX	A
HR-XV32EY	B
HR-XV32EZ	C

△ Symbol No.	Part No.	Part Name	Description	Local	△ Symbol No.	Part No.	Part Name	Description	Local
R3053	NRSA63J-471X	MG RESISTOR	470Ω 1/16W J		R4008	NRSA63J-102X	MG RESISTOR	1kΩ 1/16W J	
R3054	NRSA63J-102X	MG RESISTOR	1kΩ 1/16W J		R4009	NRSA63J-102X	MG RESISTOR	1kΩ 1/16W J	
R3055	NRSA63J-102X	MG RESISTOR	1kΩ 1/16W J		R4010	NRSA63J-103X	MG RESISTOR	10kΩ 1/16W J	
R3056	NRSA63J-102X	MG RESISTOR	1kΩ 1/16W J		R4012	NRSA63J-222X	MG RESISTOR	2.2kΩ 1/16W J	
R3057	NRSA63J-0R0X	MG RESISTOR	0Ω 1/16W J		R4013	NRSA63J-0R0X	MG RESISTOR	0Ω 1/16W J	
R3058	NRSA63J-102X	MG RESISTOR	1kΩ 1/16W J		R4015	NRSA63J-562X	MG RESISTOR	5.6kΩ 1/16W J	
R3059	NRSA63J-0R0X	MG RESISTOR	0Ω 1/16W J		R4017	NRSA63J-102X	MG RESISTOR	1kΩ 1/16W J	
R3060	NRSA63J-0R0X	MG RESISTOR	0Ω 1/16W J		R5303	NRSA63J-102X	MG RESISTOR	1kΩ 1/16W J	
R3062	NRSA63J-103X	MG RESISTOR	10kΩ 1/16W J		R5304	NRSA63J-102X	MG RESISTOR	1kΩ 1/16W J	
R3063	NRSA63J-0R0X	MG RESISTOR	0Ω 1/16W J		R5311	NRSA63J-103X	MG RESISTOR	10kΩ 1/16W J	
R3066	NRSA63J-472X	MG RESISTOR	4.7kΩ 1/16W J		R5312	NRSA63J-102X	MG RESISTOR	1kΩ 1/16W J	
R3069	NRSA63J-101X	MG RESISTOR	100Ω 1/16W J		R5313	NRSA63J-122X	MG RESISTOR	1.2kΩ 1/16W J	
R3071	NRSA63J-103X	MG RESISTOR	10kΩ 1/16W J		R5314	NRSA63J-273X	MG RESISTOR	27kΩ 1/16W J	
R3072	NRSA63J-102X	MG RESISTOR	1kΩ 1/16W J		R5315	NRSA63J-273X	MG RESISTOR	27kΩ 1/16W J	
R3073	NRSA63J-0R0X	MG RESISTOR	0Ω 1/16W J		R5316	QRE141J-181Y	C RESISTOR	180Ω 1/4W J	
R3074	NRSA63J-0R0X	MG RESISTOR	0Ω 1/16W J		R5322	QRE121J-681Y	C RESISTOR	680Ω 1/2W J	
R3075	NRSA63J-471X	MG RESISTOR	470Ω 1/16W J		R5323	QRE121J-561Y	C RESISTOR	560Ω 1/2W J	
R3076	NRSA63J-471X	MG RESISTOR	470Ω 1/16W J		R5324	NRSA63J-102X	MG RESISTOR	1kΩ 1/16W J	
R3077	NRSA63J-0R0X	MG RESISTOR	0Ω 1/16W J		R5326	NRSA63J-221X	MG RESISTOR	220Ω 1/16W J	
R3078	NRSA63J-0R0X	MG RESISTOR	0Ω 1/16W J		R6020	NRSA63J-102X	MG RESISTOR	1kΩ 1/16W J	
R3079	NRSA63J-0R0X	MG RESISTOR	0Ω 1/16W J		R6021	NRSA63J-102X	MG RESISTOR	1kΩ 1/16W J	
R3080	NRSA63J-102X	MG RESISTOR	1kΩ 1/16W J		R6030	NRSA63J-332X	MG RESISTOR	3.3kΩ 1/16W J	
R3081	NRSA63J-0R0X	MG RESISTOR	0Ω 1/16W J		R6031	NRSA63J-101X	MG RESISTOR	100Ω 1/16W J	
R3085	NRSA63J-0R0X	MG RESISTOR	0Ω 1/16W J		R6032	NRSA63J-0R0X	MG RESISTOR	0Ω 1/16W J	
R3086	NRSA63J-0R0X	MG RESISTOR	0Ω 1/16W J		R6050	NRSA63J-0R0X	MG RESISTOR	0Ω 1/16W J	
R3088	NRSA63J-0R0X	MG RESISTOR	0Ω 1/16W J		R6052	NRSA63J-102X	MG RESISTOR	1kΩ 1/16W J	
R3090	NRSA63J-0R0X	MG RESISTOR	0Ω 1/16W J		R6053	NRSA63J-102X	MG RESISTOR	1kΩ 1/16W J	
R3091	NRSA63J-0R0X	MG RESISTOR	0Ω 1/16W J		R6080	NRSA63J-103X	MG RESISTOR	10kΩ 1/16W J	
R3094	NRSA63J-0R0X	MG RESISTOR	0Ω 1/16W J		R6707	NRSA63J-330X	MG RESISTOR	33Ω 1/16W J	
R3096	NRSA63J-0R0X	MG RESISTOR	0Ω 1/16W J		R6708	NRSA63J-103X	MG RESISTOR	10kΩ 1/16W J	
R3103	NRSA63J-0R0X	MG RESISTOR	0Ω 1/16W J		R6709	NRSA63J-102X	MG RESISTOR	1kΩ 1/16W J	
R3104	NRSA63J-0R0X	MG RESISTOR	0Ω 1/16W J		R6710	NRSA63J-0R0X	MG RESISTOR	0Ω 1/16W J	
R3105	NRSA63J-0R0X	MG RESISTOR	0Ω 1/16W J		R6711	NRSA63J-104X	MG RESISTOR	100kΩ 1/16W J	
R3205	QRE141J-181Y	C RESISTOR	180Ω 1/4W J		R6712	NRSA63J-102X	MG RESISTOR	1kΩ 1/16W J	
R3206	NRSA63J-123X	MG RESISTOR	12kΩ 1/16W J		R6713	NRSA63J-123X	MG RESISTOR	12kΩ 1/16W J	
R3207	NRSA63J-183X	MG RESISTOR	18kΩ 1/16W J		R6714	NRSA63J-102X	MG RESISTOR	1kΩ 1/16W J	
R3208	NRSA63J-121X	MG RESISTOR	120Ω 1/16W J		R6715	NRSA63J-123X	MG RESISTOR	12kΩ 1/16W J	
R3209	NRSA63J-183X	MG RESISTOR	18kΩ 1/16W J		R6716	NRSA63J-470X	MG RESISTOR	47Ω 1/16W J	
R3210	NRSA63J-121X	MG RESISTOR	120Ω 1/16W J		R6720	NRSA63J-562X	MG RESISTOR	5.6kΩ 1/16W J	
R3211	NRSA63J-183X	MG RESISTOR	18kΩ 1/16W J		R6721	NRSA63J-562X	MG RESISTOR	5.6kΩ 1/16W J	
R3212	NRSA63J-474X	MG RESISTOR	470kΩ 1/16W J		R7103	NRVA63D-390X	CMF RESISTOR	39Ω 1/16W D	
R3213	NRSA63J-334X	MG RESISTOR	330kΩ 1/16W J		R7104	NRSA63J-152X	MG RESISTOR	1.5kΩ 1/16W J	
R3214	NRSA63J-103X	MG RESISTOR	10kΩ 1/16W J		R7105	NRVA63D-390X	CMF RESISTOR	39Ω 1/16W D	
R3215	NRSA63J-103X	MG RESISTOR	10kΩ 1/16W J		R7106	NRSA63J-751X	MG RESISTOR	750Ω 1/16W J	
R3216	NRSA63J-103X	MG RESISTOR	10kΩ 1/16W J		R7107	NRVA63D-390X	CMF RESISTOR	39Ω 1/16W D	
R3217	NRSA63J-103X	MG RESISTOR	10kΩ 1/16W J		R7108	NRSA63J-751X	MG RESISTOR	750Ω 1/16W J	
R3218	NRSA63J-472X	MG RESISTOR	4.7kΩ 1/16W J		R7109	NRVA63D-390X	CMF RESISTOR	39Ω 1/16W D	
R3219	NRSA63J-472X	MG RESISTOR	4.7kΩ 1/16W J		R7110	NRSA63J-751X	MG RESISTOR	750Ω 1/16W J	
R3220	NRSA63J-104X	MG RESISTOR	100kΩ 1/16W J		R7211	NRSA63J-101X	MG RESISTOR	100Ω 1/16W J	
R3222	NRSA63J-472X	MG RESISTOR	4.7kΩ 1/16W J		R7507	NRSA63J-104X	MG RESISTOR	100kΩ 1/16W J	
R3223	NRSA63J-472X	MG RESISTOR	4.7kΩ 1/16W J		R8001	NRSA63J-392X	MG RESISTOR	3.9kΩ 1/16W J	
R3224	NRSA63J-472X	MG RESISTOR	4.7kΩ 1/16W J		R8002	NRSA63J-392X	MG RESISTOR	3.9kΩ 1/16W J	
R3225	NRSA63J-103X	MG RESISTOR	10kΩ 1/16W J		R8003	NRSA63J-392X	MG RESISTOR	3.9kΩ 1/16W J	
R3229	NRSA63J-105X	MG RESISTOR	1MΩ 1/16W J		R8004	NRSA63J-392X	MG RESISTOR	3.9kΩ 1/16W J	
R3230	NRSA63J-472X	MG RESISTOR	4.7kΩ 1/16W J		R8005	NRSA63J-472X	MG RESISTOR	4.7kΩ 1/16W J	
R3231	NRSA63J-102X	MG RESISTOR	1kΩ 1/16W J		R8006	NRSA63J-472X	MG RESISTOR	4.7kΩ 1/16W J	
R3233	NRSA63J-103X	MG RESISTOR	10kΩ 1/16W J		R8007	NRSA63J-472X	MG RESISTOR	4.7kΩ 1/16W J	
R3234	NRSA63J-103X	MG RESISTOR	10kΩ 1/16W J		R8008	NRSA63J-472X	MG RESISTOR	4.7kΩ 1/16W J	
R3235	NRSA63J-332X	MG RESISTOR	3.3kΩ 1/16W J		R8009	NRSA63J-201X	MG RESISTOR	200Ω 1/16W J	
R3236	NRSA63J-332X	MG RESISTOR	3.3kΩ 1/16W J		R8010	NRSA63J-201X	MG RESISTOR	200Ω 1/16W J	
R3237	NRSA63J-103X	MG RESISTOR	10kΩ 1/16W J		R8011	NRSA63J-201X	MG RESISTOR	200Ω 1/16W J	
R3241	NRSA63J-103X	MG RESISTOR	10kΩ 1/16W J		R8012	NRSA63J-201X	MG RESISTOR	200Ω 1/16W J	
R3242	NRSA63J-472X	MG RESISTOR	4.7kΩ 1/16W J		R8013	NRSA63J-273X	MG RESISTOR	27kΩ 1/16W J	
R3253	NRSA63J-103X	MG RESISTOR	10kΩ 1/16W J		R8014	NRSA63J-273X	MG RESISTOR	27kΩ 1/16W J	
R3301	NRSA63J-101X	MG RESISTOR	100Ω 1/16W J		R8015	NRSA63J-821X	MG RESISTOR	820Ω 1/16W J	
R3302	NRSA63J-101X	MG RESISTOR	100Ω 1/16W J		R8016	NRSA63J-821X	MG RESISTOR	820Ω 1/16W J	
R3303	NRSA63J-101X	MG RESISTOR	100Ω 1/16W J		R8017	NRSA63J-103X	MG RESISTOR	10kΩ 1/16W J	
R3304	NRSA63J-101X	MG RESISTOR	100Ω 1/16W J		R8018	NRSA63J-103X	MG RESISTOR	10kΩ 1/16W J	
R3305	NRSA63J-101X	MG RESISTOR	100Ω 1/16W J		R8051	QRE141J-221Y	C RESISTOR	220Ω 1/4W J	
R3306	NRSA63J-182X	MG RESISTOR	1.8kΩ 1/16W J		R8052	QRE141J-221Y	C RESISTOR	220Ω 1/4W J	
R3307	NRSA63J-182X	MG RESISTOR	1.8kΩ 1/16W J		R8054	NRSA63J-473X	MG RESISTOR	47kΩ 1/16W J	
R3308	NRSA63J-182X	MG RESISTOR	1.8kΩ 1/16W J						
R3401	NRSA63J-101X	MG RESISTOR	100Ω 1/16W J		L3	QQL29BJ-100Z	P COIL	10uH J	
R3402	NRSA63J-271X	MG RESISTOR	270Ω 1/16W J		L5	QQL29BJ-100Z	P COIL	10uH J	
R4003	NRSA63J-561X	MG RESISTOR	560Ω 1/16W J		L6	QQL29BJ-100Z	P COIL	10uH J	
R4004	NRSA63J-561X	MG RESISTOR	560Ω 1/16W J		L7	QQR0967-001	CHOKE COIL		
R4005	NRSA63J-562X	MG RESISTOR	5.6kΩ 1/16W J		L10	QQL29BJ-100Z	P COIL	10uH J	
R4007	NRSA63J-102X	MG RESISTOR	1kΩ 1/16W J		L201	QQL29BK-1R0Z	P COIL	1uH K	

MODEL	MARK
HR-XV32EX	A
HR-XV32EY	B
HR-XV32EZ	C

△ Symbol No.	Part No.	Part Name	Description	Local	△ Symbol No.	Part No.	Part Name	Description	Local
L203	QQL37CJ-220Z	COIL		22uH J	W16	NRSA63J-0R0X	MG RESISTOR		0Ω 1/16W J
L204	QQL29BJ-100Z	P COIL		10uH J	W17	NRSA63J-0R0X	MG RESISTOR		0Ω 1/16W J
L206	QQL071J-220Y	COIL		22uH J	W18	NRSA63J-0R0X	MG RESISTOR		0Ω 1/16W J
L2251	QQL29BJ-100Z	P COIL		10uH J	W19	NRSA63J-0R0X	MG RESISTOR		0Ω 1/16W J
L2252	QQL29BJ-151Z	P COIL		150uH J	W20	NRSA63J-0R0X	MG RESISTOR		0Ω 1/16W J
L4001	QQL231J-1R0Y	COIL		1uH J	W21	NRSA63J-0R0X	MG RESISTOR		0Ω 1/16W J
L6001	QQL29BJ-100Z	P COIL		10uH J	W22	NRSA63J-0R0X	MG RESISTOR		0Ω 1/16W J
L6002	QQL29BK-1R0Z	P COIL		1uH K	W23	NRSA63J-0R0X	MG RESISTOR		0Ω 1/16W J
L6004	QQL29BK-1R0Z	P COIL		1uH K	W24	NRSA63J-0R0X	MG RESISTOR		0Ω 1/16W J
L6005	QQL29BJ-100Z	P COIL		10uH J	W25	NRSA63J-0R0X	MG RESISTOR		0Ω 1/16W J
L6701	QQL29BJ-3R3Z	P COIL		3.3uH J	W26	NRSA63J-0R0X	MG RESISTOR		0Ω 1/16W J
L6702	QQL29BJ-3R3Z	P COIL		3.3uH J	W27	NRSA63J-0R0X	MG RESISTOR		0Ω 1/16W J
L7502	QQL29BK-1R0Z	P COIL		1uH K	W28	NRSA63J-0R0X	MG RESISTOR		0Ω 1/16W J
T2051	PELN0832	OSC TRANS			W29	NRSA63J-0R0X	MG RESISTOR		0Ω 1/16W J
B1	NRSA63J-0R0X	MG RESISTOR		0Ω 1/16W J	W30	NRSA63J-0R0X	MG RESISTOR		0Ω 1/16W J
B4	NRSA63J-0R0X	MG RESISTOR		0Ω 1/16W J	W31	NRSA63J-0R0X	MG RESISTOR		0Ω 1/16W J
B7	NRSA63J-0R0X	MG RESISTOR		0Ω 1/16W J	W32	NRSA63J-0R0X	MG RESISTOR		0Ω 1/16W J
B206	NRSA63J-0R0X	MG RESISTOR		0Ω 1/16W J	W33	NRSA63J-0R0X	MG RESISTOR		0Ω 1/16W J
B3301	NRSA63J-0R0X	MG RESISTOR		0Ω 1/16W J	W34	NRSA63J-0R0X	MG RESISTOR		0Ω 1/16W J
B3302	NRSA63J-0R0X	MG RESISTOR		0Ω 1/16W J	W35	NRSA63J-0R0X	MG RESISTOR		0Ω 1/16W J
B3303	NRSA63J-0R0X	MG RESISTOR		0Ω 1/16W J	W36	NRSA63J-0R0X	MG RESISTOR		0Ω 1/16W J
B3304	NRSA63J-0R0X	MG RESISTOR		0Ω 1/16W J	W37	NRSA63J-0R0X	MG RESISTOR		0Ω 1/16W J
B3305	NRSA63J-0R0X	MG RESISTOR		0Ω 1/16W J	W38	NRSA63J-0R0X	MG RESISTOR		0Ω 1/16W J
B7101	NRSA63J-0R0X	MG RESISTOR		0Ω 1/16W J	W39	NRSA63J-0R0X	MG RESISTOR		0Ω 1/16W J
B7102	NRSA63J-0R0X	MG RESISTOR		0Ω 1/16W J	W40	NRSA63J-0R0X	MG RESISTOR		0Ω 1/16W J
B7301	NRSA63J-0R0X	MG RESISTOR		0Ω 1/16W J	W41	NRSA63J-0R0X	MG RESISTOR		0Ω 1/16W J
B7302	NRSA63J-0R0X	MG RESISTOR		0Ω 1/16W J	W42	NRSA63J-0R0X	MG RESISTOR		0Ω 1/16W J
CN1	QGF1201C2-09	CONNECTOR		FFC/FPC (1-9)	W43	NRSA63J-0R0X	MG RESISTOR		0Ω 1/16W J
CN2001	QGF1207C1-06	CONNECTOR		FFC/FPC (1-6)	W44	NRSA63J-0R0X	MG RESISTOR		0Ω 1/16W J
CN2002	QGB2532J1-02	CONNECTOR		B-B (1-2)	W45	NRSA63J-0R0X	MG RESISTOR		0Ω 1/16W J
CN3001	QGB2032M4-12	CONNECTOR		B-B (1-12)	W46	NRSA63J-0R0X	MG RESISTOR		0Ω 1/16W J
CN3102	QGF1207C1-14	CONNECTOR		FFC/FPC (1-14)	W47	NRSA63J-0R0X	MG RESISTOR		0Ω 1/16W J
CN3103	QGF1207C1-14	CONNECTOR		FFC/FPC (1-14)	W48	NRSA63J-0R0X	MG RESISTOR		0Ω 1/16W J
CN5311	QGB1231M1-11	CONNECTOR		B-B (1-11)	W49	NRSA63J-0R0X	MG RESISTOR		0Ω 1/16W J
CN5313	QGB1231M1-11	CONNECTOR		B-B (1-11)	W50	NRSA63J-0R0X	MG RESISTOR		0Ω 1/16W J
CN7101	QGB2024K1-16S	CONNECTOR		B-B (1-16)	W51	NRSA63J-0R0X	MG RESISTOR		0Ω 1/16W J
CN7102	QGB2024K1-14S	CONNECTOR		B-B (1-14)	W52	NRSA63J-0R0X	MG RESISTOR		0Ω 1/16W J
CN7103	QGB2024K1-08S	CONNECTOR		B-B (1-8)	W53	NRSA63J-0R0X	MG RESISTOR		0Ω 1/16W J
CN7104	QGF1207C1-07	CONNECTOR		FFC/FPC (1-7)	W54	NRSA63J-0R0X	MG RESISTOR		0Ω 1/16W J
CN7301	QGB2027MB-22	CONNECTOR		B-B (1-22)	W55	NRSA63J-0R0X	MG RESISTOR		0Ω 1/16W J
△ CP3002	NMFZ012-1R0X-M	FUSE		1A 50V	W56	NRSA63J-0R0X	MG RESISTOR		0Ω 1/16W J
△ CP4002	NMFZ012-1R0X-M	FUSE		1A 50V	W57	NRSA63J-0R0X	MG RESISTOR		0Ω 1/16W J
J7010	GP1FA352TZ	OPT TRANSMITTER		OPTICAL OUT	W58	NRSA63J-0R0X	MG RESISTOR		0Ω 1/16W J
J7202	QNS0100-001	3.5 JACK		REMOTE PAUSE	W59	NRSA63J-0R0X	MG RESISTOR		0Ω 1/16W J
JS3001	NSW0238-001	ROTARY ENCODER			W60	NRSA63J-0R0X	MG RESISTOR		0Ω 1/16W J
K2001	NRSA63J-0R0X	MG RESISTOR		0Ω 1/16W J	W61	NRSA63J-0R0X	MG RESISTOR		0Ω 1/16W J
K2002	NRSA63J-0R0X	MG RESISTOR		0Ω 1/16W J	W62	NRSA63J-0R0X	MG RESISTOR		0Ω 1/16W J
K2003	NRSA63J-0R0X	MG RESISTOR		0Ω 1/16W J	W63	NRSA63J-0R0X	MG RESISTOR		0Ω 1/16W J
K2004	NRSA63J-0R0X	MG RESISTOR		0Ω 1/16W J	W64	NRSA63J-0R0X	MG RESISTOR		0Ω 1/16W J
K2253	NRSA63J-0R0X	MG RESISTOR		0Ω 1/16W J	W65	NRSA63J-0R0X	MG RESISTOR		0Ω 1/16W J
K6701	NQR0129-003X	FERRITE BEADS			W66	NRSA63J-0R0X	MG RESISTOR		0Ω 1/16W J
K6702	NQR0129-003X	FERRITE BEADS			W67	NRSA63J-0R0X	MG RESISTOR		0Ω 1/16W J
K6703	NQR0129-003X	FERRITE BEADS			W70	NRSA63J-0R0X	MG RESISTOR		0Ω 1/16W J
K6704	NQR0129-003X	FERRITE BEADS			W73	NRSA63J-0R0X	MG RESISTOR		0Ω 1/16W J
K6705	NQR0129-003X	FERRITE BEADS			W75	NRSA63J-0R0X	MG RESISTOR		0Ω 1/16W J
K6706	NQR0129-003X	FERRITE BEADS			W76	NRSA63J-0R0X	MG RESISTOR		0Ω 1/16W J
K7501	NQR0147-004X	FERRITE BEADS			W77	NRSA63J-0R0X	MG RESISTOR		0Ω 1/16W J
K7502	NQR0147-004X	FERRITE BEADS			WR1	QUB370-16A4A4	SIN TWIST WIRE		
OT1	LP31158-001A	BOSS(MECHA) 1			WR2	QUB370-14A4A4	SIN TWIST WIRE		
OT2	LP31185-001A	BOSS(MECHA) 2		(x2)	X1	QAX0740-001	CRYSTAL		4.433619MHz
S3001	QSW0602-004	PUSH SWITCH		REC.SAFETY	X3001	QAX0445-001	CRYSTAL		32.768kHz
SD1	LP31179-001A	SHILD PLATE(PRE/REC)			X3002	QAX0527-001	CRYSTAL		10.000000MHz
TU6001	QAU0323-001	TUNER			X6701	QAX0773-001Z	CRYSTAL		18.432000MHz
W1	NRSA63J-0R0X	MG RESISTOR		0Ω 1/16W J					
W2	NRSA63J-0R0X	MG RESISTOR		0Ω 1/16W J					
W3	NRSA63J-0R0X	MG RESISTOR		0Ω 1/16W J					
W4	NRSA63J-0R0X	MG RESISTOR		0Ω 1/16W J					
W5	NRSA63J-0R0X	MG RESISTOR		0Ω 1/16W J					
W6	NRSA63J-0R0X	MG RESISTOR		0Ω 1/16W J					
W7	NRSA63J-0R0X	MG RESISTOR		0Ω 1/16W J					
W8	NRSA63J-0R0X	MG RESISTOR		0Ω 1/16W J					
W10	NRSA63J-0R0X	MG RESISTOR		0Ω 1/16W J					
W11	NRSA63J-0R0X	MG RESISTOR		0Ω 1/16W J					
W12	NRSA63J-0R0X	MG RESISTOR		0Ω 1/16W J					
W13	NRSA63J-0R0X	MG RESISTOR		0Ω 1/16W J					
W14	NRSA63J-0R0X	MG RESISTOR		0Ω 1/16W J					
W15	NRSA63J-0R0X	MG RESISTOR		0Ω 1/16W J					

Terminal board

Block No. [0][6]

△ Symbol No.	Part No.	Part Name	Description	Local
PW1	LPA10216-02C	TERMINAL BOARD ASSY		
IC901	HA118226F	IC		
IC902	BA7623F-X	SOP IC		

MODEL	MARK
HR-XV32EX	A
HR-XV32EY	B
HR-XV32EZ	C

△ Symbol No.	Part No.	Part Name	Description	Local	△ Symbol No.	Part No.	Part Name	Description	Local
Q901	2SC2412K/QRS/-X	TRANSISTOR			C952	QEKJ1HM-105Z	E CAPACITOR	1uF 50V M	
Q901	or 2SD601A/QRS/-X	TRANSISTOR			C953	QEPF1HM-105Z	E CAPACITOR	1uF 50V M	
Q901	or 2SC3928A/QRS/-X	TRANSISTOR			C954	QEKJ1HM-105Z	E CAPACITOR	1uF 50V M	
Q902	2SC2412K/QRS/-X	TRANSISTOR			C955	QEKJ1HM-105Z	E CAPACITOR	1uF 50V M	
Q902	or 2SD601A/QRS/-X	TRANSISTOR			C956	QEKJ0JM-476Z	E CAPACITOR	47uF 6.3V M	
Q902	or 2SC3928A/QRS/-X	TRANSISTOR			C957	NDC31HJ-101X	C CAPACITOR	100pF 50V J	
Q903	DTC144WKA-X	DIGI TRANSISTOR			C960	NCB31HK-103X	C CAPACITOR	0.01uF 50V K	
Q903	or UN221E-X	TRANSTSTOR			C961	QEKJ0JM-476Z	E CAPACITOR	47uF 6.3V M	
Q904	DTC144WKA-X	DIGI TRANSISTOR			C962	NCB31HK-103X	C CAPACITOR	0.01uF 50V K	
Q904	or UN221E-X	TRANSTSTOR			C963	QEKJ1CM-476Z	E CAPACITOR	47uF 16V M	
Q907	2SA1037AK/QR/-X	TRANSISTOR			C964	NCB31HK-103X	C CAPACITOR	0.01uF 50V K	
Q907	or 2SB709A/QR/-X	TRANSISTOR			C965	NCB31HK-103X	C CAPACITOR	0.01uF 50V K	
Q907	or 2SA1530A/QR/-X	TRANSISTOR			C966	QEKJ0JM-476Z	E CAPACITOR	47uF 6.3V M	
Q908	2SA1037AK/QR/-X	TRANSISTOR			C966	QEKJ0JM-476Z	E CAPACITOR	47uF 6.3V M	
Q908	or 2SB709A/QR/-X	TRANSISTOR			C996	NCB31HK-103X	C CAPACITOR	0.01uF 50V K	
Q908	or 2SA1530A/QR/-X	TRANSISTOR			C997	NCB31HK-103X	C CAPACITOR	0.01uF 50V K	
Q912	2SA1037AK/QR/-X	TRANSISTOR			C7706	NCB31HK-102X	C CAPACITOR	1000pF 50V K	
Q912	or 2SB709A/QR/-X	TRANSISTOR			C7708	NCB31HK-102X	C CAPACITOR	1000pF 50V K	
Q912	or 2SA1530A/QR/-X	TRANSISTOR			R901	NRSA63J-103X	MG RESISTOR	10kΩ 1/16W J	
Q913	2SA1037AK/QR/-X	TRANSISTOR			R902	NRSA63J-223X	MG RESISTOR	22kΩ 1/16W J	
Q913	or 2SB709A/QR/-X	TRANSISTOR			R903	NRSA63J-183X	MG RESISTOR	18kΩ 1/16W J	
Q913	or 2SA1530A/QR/-X	TRANSISTOR			R904	NRSA63J-474X	MG RESISTOR	470kΩ 1/16W J	
Q917	2SC2412K/QRS/-X	TRANSISTOR			R909	NRSA63J-750X	MG RESISTOR	75Ω 1/16W J	
Q917	or 2SD601A/QRS/-X	TRANSISTOR			R910	NRSA63J-750X	MG RESISTOR	75Ω 1/16W J	
Q917	or 2SC3928A/QRS/-X	TRANSISTOR			R911	NRSA63J-750X	MG RESISTOR	75Ω 1/16W J	
Q918	2SC2412K/QRS/-X	TRANSISTOR			R912	NRSA63J-750X	MG RESISTOR	75Ω 1/16W J	
Q918	or 2SD601A/QRS/-X	TRANSISTOR			R913	NRSA63J-750X	MG RESISTOR	75Ω 1/16W J	
Q918	or 2SC3928A/QRS/-X	TRANSISTOR			R914	NRSA63J-101X	MG RESISTOR	100Ω 1/16W J	
Q919	DTA144WKA-X	TRANSISTOR			R915	NRSA63J-101X	MG RESISTOR	100Ω 1/16W J	
Q919	or UN211E-X	DIGI TRANSISTOR			R916	QLL231J-100Y	COIL	10uH J	
Q932	2SA1037AK/QR/-X	TRANSISTOR			R917	QLL231J-100Y	COIL	10uH J	
Q932	or 2SB709A/QR/-X	TRANSISTOR			R918	NRSA63J-102X	MG RESISTOR	1kΩ 1/16W J	
Q932	or 2SA1530A/QR/-X	TRANSISTOR			R919	QRE141J-131Y	C RESISTOR	130Ω 1/4W J	
Q933	2SA1037AK/QR/-X	TRANSISTOR			R920	NRSA63J-0R0X	MG RESISTOR	0Ω 1/16W J	
Q933	or 2SB709A/QR/-X	TRANSISTOR			R921	NRSA63J-102X	MG RESISTOR	1kΩ 1/16W J	
Q933	or 2SA1530A/QR/-X	TRANSISTOR			R922	NRSA63J-750X	MG RESISTOR	75Ω 1/16W J	
D902	QRE141J-181Y	C RESISTOR	180Ω 1/4W J		R923	NRSA63J-750X	MG RESISTOR	75Ω 1/16W J	
D904	MTZJ9.1B-T2	Z DIODE			R924	NRSA63D-750X	MG RESISTOR	75Ω 1/16W D	
D904	or RD9.1ES/B2-T2	Z DIODE			R925	NRSA63D-750X	MG RESISTOR	75Ω 1/16W D	
C901	QEKJ0JM-337Z	E CAPACITOR	330uF 6.3V M		R926	NRSA63D-750X	MG RESISTOR	75Ω 1/16W D	
C902	NDC31HJ-331X	C CAPACITOR	330pF 50V J		R927	NRSA63J-101X	MG RESISTOR	100Ω 1/16W J	
C903	NDC31HJ-331X	C CAPACITOR	330pF 50V J		R928	NRSA63J-101X	MG RESISTOR	100Ω 1/16W J	
C904	NDC31HJ-331X	C CAPACITOR	330pF 50V J		R929	QLL231J-101Y	COIL	100uH J	
C905	NDC31HJ-331X	C CAPACITOR	330pF 50V J		R930	QLL231J-101Y	COIL	100uH J	
C906	NCB31HK-471X	C CAPACITOR	470pF 50V K		R937	QRE141J-101Y	C RESISTOR	100Ω 1/4W J	
C907	NCB31HK-471X	C CAPACITOR	470pF 50V K		R939	NRSA63J-101X	MG RESISTOR	100Ω 1/16W J	
C908	NCB31HK-471X	C CAPACITOR	470pF 50V K		R940	NRSA63J-101X	MG RESISTOR	100Ω 1/16W J	
C909	NCB31HK-471X	C CAPACITOR	470pF 50V K		R941	NRSA63J-0R0X	MG RESISTOR	0Ω 1/16W J	
C914	QEKJ0JM-337Z	E CAPACITOR	330uF 6.3V M		R942	NRSA63J-0R0X	MG RESISTOR	0Ω 1/16W J	
C915	QEKJ0JM-337Z	E CAPACITOR	330uF 6.3V M		R943	NRSA63J-0R0X	MG RESISTOR	0Ω 1/16W J	
C916	QEKJ0JM-337Z	E CAPACITOR	330uF 6.3V M		R944	QRE121J-331Y	C RESISTOR	330Ω 1/2W J	
C917	QEKJ0JM-337Z	E CAPACITOR	330uF 6.3V M		R945	QRE121J-331Y	C RESISTOR	330Ω 1/2W J	
C918	NDC31HJ-331X	C CAPACITOR	330pF 50V J		R949	NRSA63J-103X	MG RESISTOR	10kΩ 1/16W J	
C919	NDC31HJ-331X	C CAPACITOR	330pF 50V J		R950	NRSA63J-103X	MG RESISTOR	10kΩ 1/16W J	
C920	NDC31HJ-331X	C CAPACITOR	330pF 50V J		R951	NRSA63J-222X	MG RESISTOR	2.2kΩ 1/16W J	
C921	NDC31HJ-331X	C CAPACITOR	330pF 50V J		R952	NRSA63J-222X	MG RESISTOR	2.2kΩ 1/16W J	
C922	NCB31HK-471X	C CAPACITOR	470pF 50V K		R960	NRSA63J-221X	MG RESISTOR	220Ω 1/16W J	
C923	NCB31HK-471X	C CAPACITOR	470pF 50V K		R961	NRSA63J-221X	MG RESISTOR	220Ω 1/16W J	
C924	NCB31HK-471X	C CAPACITOR	470pF 50V K		R990	NRSA63J-273X	MG RESISTOR	27kΩ 1/16W J	
C925	NCB31HK-471X	C CAPACITOR	470pF 50V K		R991	NRSA63J-473X	MG RESISTOR	47kΩ 1/16W J	
C930	NCB31HK-103X	C CAPACITOR	0.01uF 50V K		R992	NRSA63J-102X	MG RESISTOR	1kΩ 1/16W J	
C932	QEKJ1HM-105Z	E CAPACITOR	1uF 50V M		R993	NRSA63J-393X	MG RESISTOR	39kΩ 1/16W J	
C937	QEKJ1EM-106Z	E CAPACITOR	10uF 25V M		R994	NRSA63J-103X	MG RESISTOR	10kΩ 1/16W J	
C939	QEKJ1HM-105Z	E CAPACITOR	1uF 50V M		R999	NRSA63J-103X	MG RESISTOR	10kΩ 1/16W J	
C940	QEKJ1HM-105Z	E CAPACITOR	1uF 50V M		R7710	NRSA63J-0R0X	MG RESISTOR	0Ω 1/16W J	
C941	QEKJ1HM-105Z	E CAPACITOR	1uF 50V M		R7711	NRSA63J-0R0X	MG RESISTOR	0Ω 1/16W J	
C942	QEKJ1HM-475Z	E CAPACITOR	4.7uF 50V M		L901	QLL071J-4R7Y	COIL	4.7uH J	
C943	QEKJ1HM-105Z	E CAPACITOR	1uF 50V M		L902	QLL071J-4R7Y	COIL	4.7uH J	
C944	QEKJ1CM-476Z	E CAPACITOR	47uF 16V M		L903	QLL071J-1R0Y	COIL	1uH J	
C945	QEKJ1HM-105Z	E CAPACITOR	1uF 50V M		L904	QLL071J-4R7Y	COIL	4.7uH J	
C946	QEKJ1HM-105Z	E CAPACITOR	1uF 50V M		L905	QLL071J-4R7Y	COIL	4.7uH J	
C947	QEKJ1HM-105Z	E CAPACITOR	1uF 50V M		L906	QLL071J-4R7Y	COIL	4.7uH J	
C948	QEKJ1EM-106Z	E CAPACITOR	10uF 25V M		L907	QLL071J-4R7Y	COIL	4.7uH J	
C949	QEKJ1EM-106Z	E CAPACITOR	10uF 25V M		L908	QLL231J-R22Y	COIL	0.22uH J	
C950	QEKJ1HM-105Z	E CAPACITOR	1uF 50V M		L909	QLL071J-4R7Y	COIL	4.7uH J	
C951	QEKJ1HM-105Z	E CAPACITOR	1uF 50V M		L910	QLL071J-4R7Y	COIL	4.7uH J	
					L911	QLL29BJ-100Z	P COIL	10uH J	

MODEL	MARK
HR-XV32EX	A
HR-XV32EY	B
HR-XV32EZ	C

△ Symbol No.	Part No.	Part Name	Description	Local	△ Symbol No.	Part No.	Part Name	Description	Local
L914	QQL071J-1R0Y	COIL		1uH J	R7001	NRSA02J-102X	MG RESISTOR	1kΩ 1/10W J	
L917	QQL29BJ-100Z	P COIL		10uH J	R7002	NRSA02J-102X	MG RESISTOR	1kΩ 1/10W J	
L918	QQL29BJ-100Z	P COIL		10uH J	R7003	NRSA02J-102X	MG RESISTOR	1kΩ 1/10W J	
L919	QQL29BJ-100Z	P COIL		10uH J	R7005	QRE141J-103Y	C RESISTOR	10kΩ 1/4W J	
L7703	QQL071J-150Y	COIL		15uH J	R7006	NRSA02J-0R0X	MG RESISTOR	0Ω 1/10W J	
L7704	QQL071J-150Y	COIL		15uH J	R7007	NRSA02J-103X	MG RESISTOR	10kΩ 1/10W J	
B903	NRSA63J-0R0X	MG RESISTOR		0Ω 1/16W J	R7010	NRSA02J-103X	MG RESISTOR	10kΩ 1/10W J	
CN913	QGB2024J1-14S	CONNECTOR		B-B (1-14)	R7011	QRE141J-122Y	C RESISTOR	1.2kΩ 1/4W J	
CN914	QGB2024J1-16S	CONNECTOR		B-B (1-16)	R7012	NRSA02J-182X	MG RESISTOR	1.8kΩ 1/10W J	
CN915	QGB2024J1-08S	CONNECTOR		B-B (1-8)	R7013	NRSA02J-222X	MG RESISTOR	2.2kΩ 1/10W J	
J901	QNZ0627-001	21P CONNECTOR		L-1 IN/OUT	R7014	NRSA02J-272X	MG RESISTOR	2.7kΩ 1/10W J	
J902	QNZ0627-001	21P CONNECTOR		L-2 IN/DECODER	R7015	QRE141J-472Y	C RESISTOR	4.7kΩ 1/4W J	
J7007	QNN0295-002	PIN JACK		AUDIO OUT	R7020	NRSA02J-103X	MG RESISTOR	10kΩ 1/10W J	
TB1	QNZ0431-001Z	EARTH TERMINAL			R7021	QRE141J-122Y	C RESISTOR	1.2kΩ 1/4W J	
W1	NRSA63J-0R0X	MG RESISTOR		0Ω 1/16W J	R7022	NRSA02J-182X	MG RESISTOR	1.8kΩ 1/10W J	
W2	NRSA63J-0R0X	MG RESISTOR		0Ω 1/16W J	R7023	NRSA02J-222X	MG RESISTOR	2.2kΩ 1/10W J	
W3	NRSA63J-0R0X	MG RESISTOR		0Ω 1/16W J	R7024	NRSA02J-272X	MG RESISTOR	2.7kΩ 1/10W J	
W4	NRSA63J-0R0X	MG RESISTOR		0Ω 1/16W J	R7026	NRSA02J-102X	MG RESISTOR	1kΩ 1/10W J	
W5	NRSA63J-0R0X	MG RESISTOR		0Ω 1/16W J	R7029	NRSA02J-470X	MG RESISTOR	47Ω 1/10W J	
W6	NRSA63J-0R0X	MG RESISTOR		0Ω 1/16W J	R7033	QRE141J-222Y	C RESISTOR	2.2kΩ 1/4W J	
W7	NRSA63J-0R0X	MG RESISTOR		0Ω 1/16W J	R7034	QRE141J-222Y	C RESISTOR	2.2kΩ 1/4W J	
W8	NRSA63J-0R0X	MG RESISTOR		0Ω 1/16W J	R7035	NRSA02J-182X	MG RESISTOR	1.8kΩ 1/10W J	
W9	NRSA63J-0R0X	MG RESISTOR		0Ω 1/16W J	R7036	QRE141J-102Y	C RESISTOR	1kΩ 1/4W J	
W10	NRSA63J-0R0X	MG RESISTOR		0Ω 1/16W J	R7037	NRSA02J-102X	MG RESISTOR	1kΩ 1/10W J	
W11	NRSA63J-0R0X	MG RESISTOR		0Ω 1/16W J	R7039	NRSA02J-102X	MG RESISTOR	1kΩ 1/10W J	
W12	NRSA63J-0R0X	MG RESISTOR		0Ω 1/16W J	R7040	NRSA02J-102X	MG RESISTOR	1kΩ 1/10W J	
W13	NRSA63J-0R0X	MG RESISTOR		0Ω 1/16W J	R7041	NRSA02J-102X	MG RESISTOR	1kΩ 1/10W J	
W14	NRSA63J-0R0X	MG RESISTOR		0Ω 1/16W J	R7042	NRSA02J-102X	MG RESISTOR	1kΩ 1/10W J	
					R7044	NRSA02J-102X	MG RESISTOR	1kΩ 1/10W J	
					R7046	NRSA02J-102X	MG RESISTOR	1kΩ 1/10W J	
					R7048	NRSA02J-221X	MG RESISTOR	220Ω 1/10W J	
					R7051	NRSA02J-221X	MG RESISTOR	220Ω 1/10W J	
					R7052	NRSA02J-104X	MG RESISTOR	100kΩ 1/10W J	
					R7053	NRSA02J-104X	MG RESISTOR	100kΩ 1/10W J	
					R7054	NRSA02J-104X	MG RESISTOR	100kΩ 1/10W J	
					R7055	NRSA02J-104X	MG RESISTOR	100kΩ 1/10W J	
					R7056	NRSA02J-104X	MG RESISTOR	100kΩ 1/10W J	
					R7057	NRSA02J-104X	MG RESISTOR	100kΩ 1/10W J	
					R7058	NRSA02J-104X	MG RESISTOR	100kΩ 1/10W J	
					R7059	NRSA02J-104X	MG RESISTOR	100kΩ 1/10W J	
					R7060	NRSA02J-104X	MG RESISTOR	100kΩ 1/10W J	
					R7061	NRSA02J-104X	MG RESISTOR	100kΩ 1/10W J	
					R7062	NRSA02J-104X	MG RESISTOR	100kΩ 1/10W J	
					R7063	NRSA02J-104X	MG RESISTOR	100kΩ 1/10W J	
					R7064	NRSA02J-104X	MG RESISTOR	100kΩ 1/10W J	
					R7077	NRSA02J-104X	MG RESISTOR	100kΩ 1/10W J	
					R7078	NRSA02J-104X	MG RESISTOR	100kΩ 1/10W J	
					R7079	NRSA02J-104X	MG RESISTOR	100kΩ 1/10W J	
					R7080	NRSA02J-104X	MG RESISTOR	100kΩ 1/10W J	
					R7081	NRSA02J-104X	MG RESISTOR	100kΩ 1/10W J	
					R7082	NRSA02J-104X	MG RESISTOR	100kΩ 1/10W J	
					R7083	NRSA02J-104X	MG RESISTOR	100kΩ 1/10W J	
					R7084	NRSA02J-104X	MG RESISTOR	100kΩ 1/10W J	
					R7085	NRSA02J-104X	MG RESISTOR	100kΩ 1/10W J	
					R7086	NRSA02J-104X	MG RESISTOR	100kΩ 1/10W J	
					R7087	NRSA02J-104X	MG RESISTOR	100kΩ 1/10W J	
					R7088	NRSA02J-104X	MG RESISTOR	100kΩ 1/10W J	
					R7089	NRSA02J-104X	MG RESISTOR	100kΩ 1/10W J	
					R7090	NRSA02J-104X	MG RESISTOR	100kΩ 1/10W J	
					R7091	NRSA02J-104X	MG RESISTOR	100kΩ 1/10W J	
					CN7003	QGF1201F2-14	CONNECTOR	FFC/FPC (1-14)	
					CN7004	QGF1201F2-14	CONNECTOR	FFC/FPC (1-14)	
					D17001	QLF0123-001	FL TUBE		
					FW7002	QUM025-06A4A4	PARA RIBON WIRE		
					HD1	PQ34949-1-1	FDP HOLDER(L)		
					HD2	PQ34950-1-1	FDP HOLDER(R)		
					S7001	QSW1061-001Z	TACT SWITCH	OPEN	
					S7002	QSW1061-001Z	TACT SWITCH	SAT	
					S7003	QSW1061-001Z	TACT SWITCH	PR+	
					S7004	QSW1061-001Z	TACT SWITCH	FF	
					S7005	QSW1061-001Z	TACT SWITCH	REW	
					S7006	QSW1061-001Z	TACT SWITCH	REC	
					S7010	QSW1061-001Z	TACT SWITCH	PR-	
					S7013	QSW1061-001Z	TACT SWITCH	VCR/DVD	
					S7016	QSW1061-001Z	TACT SWITCH	PLAY	
					S7017	QSW1061-001Z	TACT SWITCH	STOP	
					X7001	QAX0246-001Z	C RESONATOR	8.00MHz	

A/C head board

Block No. [1][2]

△ Symbol No.	Part No.	Part Name	Description	Local
PW1	LPA10158-01A1	A/C HEAD BOARD ASSY		

Display board

Block No. [2][8]

△ Symbol No.	Part No.	Part Name	Description	Local
PW1	LPA10206-11D2	DISPLAY BOARD ASSY		
IC7001	MN101C35DJD	IC(MCU)		
IC7001	or MN101CP35DJD	IC(MCU)		
IC7002	GP1UM281XK	IR DETECT UNIT	38kHz	
IC7002	or PNA4652M00XB	IR DETECT UNIT	38kHz	
IC7003	SN74HCT08APW-X	IC		
Q7003	DTC143EKA-X	DIGI TRANSISTOR		
Q7003	or UN221L-X	DIGI TRANSISTOR		
Q7004	DTC143EKA-X	DIGI TRANSISTOR		
Q7004	or UN221L-X	DIGI TRANSISTOR		
D7003	SLA-580BC3T3F	LED	ILLUM.	
D7003	or SDPB50A0/DEGH/	LED	ILLUM.	
D7006	SLR-343MC-T	LED	DVD	
D7021	RD6.8ES/B1-T2	Z DIODE		
D7021	or MTZJ6.8A-T2	Z DIODE		
C7001	QEKJ0JM-107Z	E CAPACITOR	100uF 6.3V M	
C7002	NCF21EZ-104X	C CAPACITOR	0.1uF 25V Z	
C7003	QEKJ1HM-106Z	E CAPACITOR	10uF 50V M	
C7008	NCF21EZ-104X	C CAPACITOR	0.1uF 25V Z	
C7009	NCF21EZ-104X	C CAPACITOR	0.1uF 25V Z	
C7011	QEKJ0JM-476Z	E CAPACITOR	47uF 6.3V M	
C7017	NCF21EZ-104X	C CAPACITOR	0.1uF 25V Z	

MODEL	MARK
HR-XV32EX	A
HR-XV32EY	B
HR-XV32EZ	C

Jack board

Block No. [3][6]

△ Symbol No.	Part No.	Part Name	Description	Local
PW1	LPA10206-11D3	JACK BOARD ASSY		
D7004	SLA-580BC3T3F	LED		ILLUM.
D7004	or SDPB50A0/DEGH/	LED		ILLUM.
D7005	SLR-343MC-T	LED		VCR
C7192	NCB31HK-681X	C CAPACITOR	680pF 50V K	
C7193	NCB31HK-681X	C CAPACITOR	680pF 50V K	
C7194	NCB31HK-681X	C CAPACITOR	680pF 50V K	
C7195	NCB31HK-681X	C CAPACITOR	680pF 50V K	
R7025	NRSA02J-472X	MG RESISTOR	4.7kΩ 1/10W J	
R7028	NRSA02J-470X	MG RESISTOR	47Ω 1/10W J	
R7191	NRSA02J-750X	MG RESISTOR	75Ω 1/10W J	
R7192	NRSA02J-0R0X	MG RESISTOR	0Ω 1/10W J	
L7191	QRE141J-101Y	C RESISTOR	100Ω 1/4W J	
L7192	QRE141J-101Y	C RESISTOR	100Ω 1/4W J	
L7193	QRE141J-101Y	C RESISTOR	100Ω 1/4W J	
CN7191	QGF1201F2-07	CONNECTOR	FFC/FPC (1-7)	
J7191	QNN0591-001	PIN JACK	F-1 VIDEO/AUDIO IN	
S7014	QSW1061-001Z	TACT SWITCH	STANDBY/ON	
S7015	QSW1061-001Z	TACT SWITCH	CASSETTE EJECT	

△ Symbol No.	Part No.	Part Name	Description	Local
IC512	or SN74LVC373APW-X	IC(DIGITAL)		
IC513	or 74LCX373MTC-X	IC(DIGITAL)		
IC513	or 74LVC373APW-X	IC(DIGITAL)		
IC513	SN74LVC373APW-X	IC(DIGITAL)		
Q101	2SB1424/R/-W	TRANSISTOR		
Q101	or KTA1001/Y/-X	TRANSISTOR		
Q102	2SB1424/R/-W	TRANSISTOR		
Q102	or KTA1001/Y/-X	TRANSISTOR		
Q103	DTA144EE-X	DIGI TRANSISTOR		
D101	RB521S-30-X	SB DIODE		
D301	RB521S-30-X	SB DIODE		
C105	NBE21AM-226X	TA E CAPACITOR	22uF 10V M	
C106	NBE21AM-226X	TA E CAPACITOR	22uF 10V M	
C109	NCB31CK-104X	C CAPACITOR	0.1uF 16V K	
C110	NDC31HJ-221X	C CAPACITOR	220pF 50V J	
C111	NCF31CZ-104X	C CAPACITOR	0.1uF 16V Z	
C112	NCF31CZ-104X	C CAPACITOR	0.1uF 16V Z	
C116	NCB31CK-104X	C CAPACITOR	0.1uF 16V K	
C117	NCB31CK-473X	C CAPACITOR	0.047uF 16V K	
C118	NCB31CK-273X	C CAPACITOR	0.027uF 16V K	
C119	NCB31HK-561X	C CAPACITOR	560pF 50V K	
C120	NCB31HK-561X	C CAPACITOR	560pF 50V K	
C121	NCB31CK-104X	C CAPACITOR	0.1uF 16V K	
C122	NDC31HJ-120X	C CAPACITOR	12pF 50V J	
C123	NCF31CZ-104X	C CAPACITOR	0.1uF 16V Z	
C124	NDC31HJ-470X	C CAPACITOR	47pF 50V J	
C125	NCB31HK-271X	C CAPACITOR	270pF 50V K	
C126	NCF31CZ-104X	C CAPACITOR	0.1uF 16V Z	
C127	NCF31CZ-104X	C CAPACITOR	0.1uF 16V Z	
C128	NCF31CZ-104X	C CAPACITOR	0.1uF 16V Z	
C129	NCB31HK-472X	C CAPACITOR	4700pF 50V K	
C135	NEA70JM-476X	E CAPACITOR	47uF 6.3V M	
C137	NEA70GM-476X	E CAPACITOR	47uF 4V M	
C138	NCF31CZ-104X	C CAPACITOR	0.1uF 16V Z	
C141	NCF31CZ-104X	C CAPACITOR	0.1uF 16V Z	
C142	NCF31CZ-104X	C CAPACITOR	0.1uF 16V Z	
C144	NCB31CK-103X	C CAPACITOR	0.01uF 16V K	
C204	NCF31CZ-104X	C CAPACITOR	0.1uF 16V Z	
C205	NDC31HJ-121X	C CAPACITOR	120pF 50V J	
C207	NCB31HK-391X	C CAPACITOR	390pF 50V K	
C208	NCB31HK-391X	C CAPACITOR	390pF 50V K	
C211	NCB31HK-223X	C CAPACITOR	0.022uF 50V K	
C212	NCB31CK-103X	C CAPACITOR	0.01uF 16V K	
C216	NCB30JK-105X	C CAPACITOR	1uF 6.3V K	
C217	NCF31CZ-104X	C CAPACITOR	0.1uF 16V Z	
C218	NCB30JK-105X	C CAPACITOR	1uF 6.3V K	
C251	NCF31CZ-104X	C CAPACITOR	0.1uF 16V Z	
C253	NCF31CZ-104X	C CAPACITOR	0.1uF 16V Z	
C255	NCB31CK-153X	C CAPACITOR	0.015uF 16V K	
C256	NCB31CK-104X	C CAPACITOR	0.1uF 16V K	
C257	NCF31CZ-104X	C CAPACITOR	0.1uF 16V Z	
C258	NCF31CZ-104X	C CAPACITOR	0.1uF 16V Z	
C259	NCF31CZ-104X	C CAPACITOR	0.1uF 16V Z	
C260	NCF31CZ-104X	C CAPACITOR	0.1uF 16V Z	
C261	NCF31CZ-104X	C CAPACITOR	0.1uF 16V Z	
C262	NCF31CZ-104X	C CAPACITOR	0.1uF 16V Z	
C263	NCF31CZ-104X	C CAPACITOR	0.1uF 16V Z	
C264	NCB31CK-103X	C CAPACITOR	0.01uF 16V K	
C301	NCF31CZ-104X	C CAPACITOR	0.1uF 16V Z	
C302	NCF31CZ-104X	C CAPACITOR	0.1uF 16V Z	
C303	NCF31CZ-104X	C CAPACITOR	0.1uF 16V Z	
C304	NEA70GM-476X	E CAPACITOR	47uF 4V M	
C306	NEA70GM-476X	E CAPACITOR	47uF 4V M	
C308	NEA70GM-476X	E CAPACITOR	47uF 4V M	
C310	NCF31CZ-104X	C CAPACITOR	0.1uF 16V Z	
C311	NCB31HK-561X	C CAPACITOR	560pF 50V K	
C312	NCB31HK-561X	C CAPACITOR	560pF 50V K	
C313	NCB31HK-561X	C CAPACITOR	560pF 50V K	
C314	NCB31HK-331X	C CAPACITOR	330pF 50V K	
C315	NCB31HK-471X	C CAPACITOR	470pF 50V K	
C316	NCB31HK-271X	C CAPACITOR	270pF 50V K	
C317	NDC31HJ-121X	C CAPACITOR	120pF 50V J	
C318	NCF31CZ-104X	C CAPACITOR	0.1uF 16V Z	
C319	NCB31HK-102X	C CAPACITOR	1000pF 50V K	

Loading motor board

Block No. [5][5]

△ Symbol No.	Part No.	Part Name	Description	Local
PW1	LPA10158-01A2	LOADING MOTOR BOARD ASSY		

Switch board

Block No. [9][8]

△ Symbol No.	Part No.	Part Name	Description	Local
CN1	QGF1016F3-05	CONNECTOR	FFC/FPC (1-5)	
S1	QSW1007-001	DETECT SWITCH	DET SW	

DVD servo control board

Block No. [9][9]

△ Symbol No.	Part No.	Part Name	Description	Local
IC101	AN8703FH-V	IC		
IC201	BA5983FM-X	IC		
IC251	BA6679FM-X	LSI		
IC301	MN103S26EDC-H	IC		
IC301	or MN103S26EGB-H	IC		
IC402	AK4385VT-X	IC		
IC501	JCE8045	IC		
IC501	or NDV8601VWA-BE	IC		
IC505	K4S643232F-TC60	IC		
IC505	or K4S643232H-TC60	IC		
IC505	or W986432DH-7	IC		
IC505	or HY57643220CT55	IC		
IC505	or HY57643220CT7	IC		
IC509	SA16M90H1230	IC(FLASH)	(SERVICE)	
IC511	LM1117MP1.8-X	IC		
IC512	74LCX373MTC-X	IC(DIGITAL)		
IC512	or 74LVC373APW-X	IC(DIGITAL)		

MODEL	MARK
HR-XV32EX	A
HR-XV32EY	B
HR-XV32EZ	C

△ Symbol No.	Part No.	Part Name	Description	Local	△ Symbol No.	Part No.	Part Name	Description	Local
C320	NCB31HK-102X	C CAPACITOR	1000pF 50V K		C554	NCF31CZ-104X	C CAPACITOR	0.1uF 16V Z	
C321	NCB31HK-102X	C CAPACITOR	1000pF 50V K		C556	NRSA63J-0R0X	MG RESISTOR	0Ω 1/16W J	
C322	NCB31HK-562X	C CAPACITOR	5600pF 50V K		C557	NCF31CZ-104X	C CAPACITOR	0.1uF 16V Z	
C323	NCB31HK-102X	C CAPACITOR	1000pF 50V K		C558	NCF31CZ-104X	C CAPACITOR	0.1uF 16V Z	
C324	NCF31CZ-104X	C CAPACITOR	0.1uF 16V Z		C559	NCS31HJ-471X	C CAPACITOR	470pF 50V J	
C325	NDC31HJ-470X	C CAPACITOR	47pF 50V J		C560	NCS31HJ-471X	C CAPACITOR	470pF 50V J	
C326	NCB31CK-183X	C CAPACITOR	0.018uF 16V K		C561	NCS31HJ-471X	C CAPACITOR	470pF 50V J	
C327	NCB31HK-102X	C CAPACITOR	1000pF 50V K		C562	NCF31CZ-104X	C CAPACITOR	0.1uF 16V Z	
C328	NCF31CZ-104X	C CAPACITOR	0.1uF 16V Z		C563	NCS31HJ-471X	C CAPACITOR	470pF 50V J	
C329	NCB31CK-103X	C CAPACITOR	0.01uF 16V K		C566	NCF31CZ-104X	C CAPACITOR	0.1uF 16V Z	
C330	NCB31CK-104X	C CAPACITOR	0.1uF 16V K		C567	NRSA63J-0R0X	MG RESISTOR	0Ω 1/16W J	
C331	NCB31CK-103X	C CAPACITOR	0.01uF 16V K		C568	NRSA63J-0R0X	MG RESISTOR	0Ω 1/16W J	
C332	NCF31CZ-104X	C CAPACITOR	0.1uF 16V Z		C569	NCF31CZ-104X	C CAPACITOR	0.1uF 16V Z	
C333	NCB31CK-104X	C CAPACITOR	0.1uF 16V K		C572	NCF31CZ-104X	C CAPACITOR	0.1uF 16V Z	
C334	NCB31CK-104X	C CAPACITOR	0.1uF 16V K		C573	NEA70GM-476X	E CAPACITOR	47uF 4V M	
C337	NCF31CZ-104X	C CAPACITOR	0.1uF 16V Z		C578	NCF31CZ-104X	C CAPACITOR	0.1uF 16V Z	
C338	NCF31CZ-104X	C CAPACITOR	0.1uF 16V Z		C581	NEA70GM-227X	E CAPACITOR	220uF 4V M	
C339	NCB31CK-104X	C CAPACITOR	0.1uF 16V K		C596	NCS31HJ-471X	C CAPACITOR	470pF 50V J	
C340	NCB31CK-104X	C CAPACITOR	0.1uF 16V K						
C341	NCF31CZ-104X	C CAPACITOR	0.1uF 16V Z		R101	NRSA63J-333X	MG RESISTOR	33kΩ 1/16W J	
C342	NDC31HJ-101X	C CAPACITOR	100pF 50V J		R102	NRSA63J-223X	MG RESISTOR	22kΩ 1/16W J	
C343	NCF31CZ-104X	C CAPACITOR	0.1uF 16V Z		R103	NRSA63J-223X	MG RESISTOR	22kΩ 1/16W J	
C344	NDC31HJ-101X	C CAPACITOR	100pF 50V J		R104	NRS125J-270X	MG RESISTOR	27Ω 1/2W J	
C345	NCF31CZ-104X	C CAPACITOR	0.1uF 16V Z		R105	NRS125J-270X	MG RESISTOR	27Ω 1/2W J	
C346	NCF31CZ-104X	C CAPACITOR	0.1uF 16V Z		R106	NRSA63J-273X	MG RESISTOR	27kΩ 1/16W J	
C347	NCF31CZ-104X	C CAPACITOR	0.1uF 16V Z		R107	NRSA63J-273X	MG RESISTOR	27kΩ 1/16W J	
C348	NCB31CK-104X	C CAPACITOR	0.1uF 16V K		R108	NRSA63J-222X	MG RESISTOR	2.2kΩ 1/16W J	
C349	NCF31CZ-104X	C CAPACITOR	0.1uF 16V Z		R109	NRSA63J-182X	MG RESISTOR	1.8kΩ 1/16W J	
C350	NCF31CZ-104X	C CAPACITOR	0.1uF 16V Z		R110	NRSA63J-333X	MG RESISTOR	33kΩ 1/16W J	
C360	NEA70GM-476X	E CAPACITOR	47uF 4V M		R111	NRVA63D-243X	CMF RESISTOR	24kΩ 1/16W D	
C400	NCB31HK-102X	C CAPACITOR	1000pF 50V K		R112	NRSA63J-822X	MG RESISTOR	8.2kΩ 1/16W J	
C407	NCF31CZ-104X	C CAPACITOR	0.1uF 16V Z		R113	NRSA63J-103X	MG RESISTOR	10kΩ 1/16W J	
C408	NEA70JM-227X	E CAPACITOR	220uF 6.3V M		R115	NRSA63J-0R0X	MG RESISTOR	0Ω 1/16W J	
C409	NEA70JM-227X	E CAPACITOR	220uF 6.3V M		R116	NRSA63J-101X	MG RESISTOR	100Ω 1/16W J	
C502	NCF31CZ-104X	C CAPACITOR	0.1uF 16V Z		R117	NRSA63J-101X	MG RESISTOR	100Ω 1/16W J	
C503	NCF31CZ-104X	C CAPACITOR	0.1uF 16V Z		R119	NRSA63J-2R2X	MG RESISTOR	2.2Ω 1/16W J	
C504	NCF31CZ-104X	C CAPACITOR	0.1uF 16V Z		R120	NRSA63J-2R2X	MG RESISTOR	2.2Ω 1/16W J	
C505	NCF31CZ-104X	C CAPACITOR	0.1uF 16V Z		R125	NRSA63J-105X	MG RESISTOR	1MΩ 1/16W J	
C506	NDC31HJ-150X	C CAPACITOR	15pF 50V J		R126	NRSA63J-105X	MG RESISTOR	1MΩ 1/16W J	
C507	NDC31HJ-180X	C CAPACITOR	18pF 50V J		R127	NRSA63J-222X	MG RESISTOR	2.2kΩ 1/16W J	
C508	NCF31CZ-104X	C CAPACITOR	0.1uF 16V Z		R128	NRS125J-1R0X	MG RESISTOR	1Ω 1/2W J	
C509	NCF31CZ-104X	C CAPACITOR	0.1uF 16V Z		R129	NRS125J-1R0X	MG RESISTOR	1Ω 1/2W J	
C510	NCF31CZ-104X	C CAPACITOR	0.1uF 16V Z		R130	NRSA63J-182X	MG RESISTOR	1.8kΩ 1/16W J	
C512	NCF31CZ-104X	C CAPACITOR	0.1uF 16V Z		R201	NRSA63J-470X	MG RESISTOR	47Ω 1/16W J	
C514	NCS31HJ-471X	C CAPACITOR	470pF 50V J		R202	NRS125J-1R0X	MG RESISTOR	1Ω 1/2W J	
C515	NCS31HJ-471X	C CAPACITOR	470pF 50V J		R204	NRSA63J-273X	MG RESISTOR	27kΩ 1/16W J	
C516	NCS31HJ-471X	C CAPACITOR	470pF 50V J		R205	NRSA63J-273X	MG RESISTOR	27kΩ 1/16W J	
C517	NCF31CZ-104X	C CAPACITOR	0.1uF 16V Z		R206	NRSA63J-303X	MG RESISTOR	30kΩ 1/16W J	
C518	NCF31CZ-104X	C CAPACITOR	0.1uF 16V Z		R207	NRSA63J-473X	MG RESISTOR	47kΩ 1/16W J	
C519	NCF31CZ-104X	C CAPACITOR	0.1uF 16V Z		R208	NRSA63J-223X	MG RESISTOR	22kΩ 1/16W J	
C520	NCS31HJ-471X	C CAPACITOR	470pF 50V J		R209	NRSA63J-223X	MG RESISTOR	22kΩ 1/16W J	
C521	NCF31CZ-104X	C CAPACITOR	0.1uF 16V Z		R210	NRSA63J-392X	MG RESISTOR	3.9kΩ 1/16W J	
C523	NCF31CZ-104X	C CAPACITOR	0.1uF 16V Z		R211	NRSA63J-392X	MG RESISTOR	3.9kΩ 1/16W J	
C524	NEA70GM-476X	E CAPACITOR	47uF 4V M		R212	NRSA63J-103X	MG RESISTOR	10kΩ 1/16W J	
C527	NEA70GM-476X	E CAPACITOR	47uF 4V M		R213	NRSA63J-103X	MG RESISTOR	10kΩ 1/16W J	
C528	NCS31HJ-471X	C CAPACITOR	470pF 50V J		R214	NRSA63J-103X	MG RESISTOR	10kΩ 1/16W J	
C529	NCS31HJ-471X	C CAPACITOR	470pF 50V J		R215	NRSA63J-103X	MG RESISTOR	10kΩ 1/16W J	
C531	NCF31CZ-104X	C CAPACITOR	0.1uF 16V Z		R216	NRSA63J-912X	MG RESISTOR	9.1kΩ 1/16W J	
C532	NCF31CZ-104X	C CAPACITOR	0.1uF 16V Z		R219	NRSA63J-183X	MG RESISTOR	18kΩ 1/16W J	
C533	NCF31CZ-104X	C CAPACITOR	0.1uF 16V Z		R220	NRSA63J-243X	MG RESISTOR	24kΩ 1/16W J	
C534	NCF31CZ-104X	C CAPACITOR	0.1uF 16V Z		R221	NRSA63J-682X	MG RESISTOR	6.8kΩ 1/16W J	
C535	NCS31HJ-471X	C CAPACITOR	470pF 50V J		R222	NRSA63J-103X	MG RESISTOR	10kΩ 1/16W J	
C536	NCS31HJ-471X	C CAPACITOR	470pF 50V J		R223	NRSA63J-912X	MG RESISTOR	9.1kΩ 1/16W J	
C537	NCS31HJ-471X	C CAPACITOR	470pF 50V J		R230	NRSA63J-332X	MG RESISTOR	3.3kΩ 1/16W J	
C538	NCS31HJ-471X	C CAPACITOR	470pF 50V J		R251	NRS125J-R47X	MG RESISTOR	0.47Ω 1/2W J	
C539	NCS31HJ-471X	C CAPACITOR	470pF 50V J		R252	NRSA63J-2R2X	MG RESISTOR	2.2Ω 1/16W J	
C540	NCF31CZ-104X	C CAPACITOR	0.1uF 16V Z		R254	NRSA63J-203X	MG RESISTOR	20kΩ 1/16W J	
C541	NCF31CZ-104X	C CAPACITOR	0.1uF 16V Z		R255	NRSA63J-103X	MG RESISTOR	10kΩ 1/16W J	
C542	NCB31CK-104X	C CAPACITOR	0.1uF 16V K		R256	NRSA63J-470X	MG RESISTOR	47Ω 1/16W J	
C543	NCF31CZ-104X	C CAPACITOR	0.1uF 16V Z		R259	NRSA63J-103X	MG RESISTOR	10kΩ 1/16W J	
C544	NCF31CZ-104X	C CAPACITOR	0.1uF 16V Z		R280	NRSA63J-332X	MG RESISTOR	3.3kΩ 1/16W J	
C545	NCF31CZ-104X	C CAPACITOR	0.1uF 16V Z		R301	NRSA63J-473X	MG RESISTOR	47kΩ 1/16W J	
C546	NCS31HJ-471X	C CAPACITOR	470pF 50V J		R302	NRSA63J-473X	MG RESISTOR	47kΩ 1/16W J	
C547	NCS31HJ-471X	C CAPACITOR	470pF 50V J		R303	NRSA63J-473X	MG RESISTOR	47kΩ 1/16W J	
C548	NCF31CZ-104X	C CAPACITOR	0.1uF 16V Z		R304	NRSA63J-473X	MG RESISTOR	47kΩ 1/16W J	
C549	NEA70GM-476X	E CAPACITOR	47uF 4V M		R305	NRSA63J-473X	MG RESISTOR	47kΩ 1/16W J	
C550	NCF31CZ-104X	C CAPACITOR	0.1uF 16V Z		R306	NRSA63J-473X	MG RESISTOR	47kΩ 1/16W J	
C551	NCB31CK-104X	C CAPACITOR	0.1uF 16V K		R307	NRSA63J-473X	MG RESISTOR	47kΩ 1/16W J	

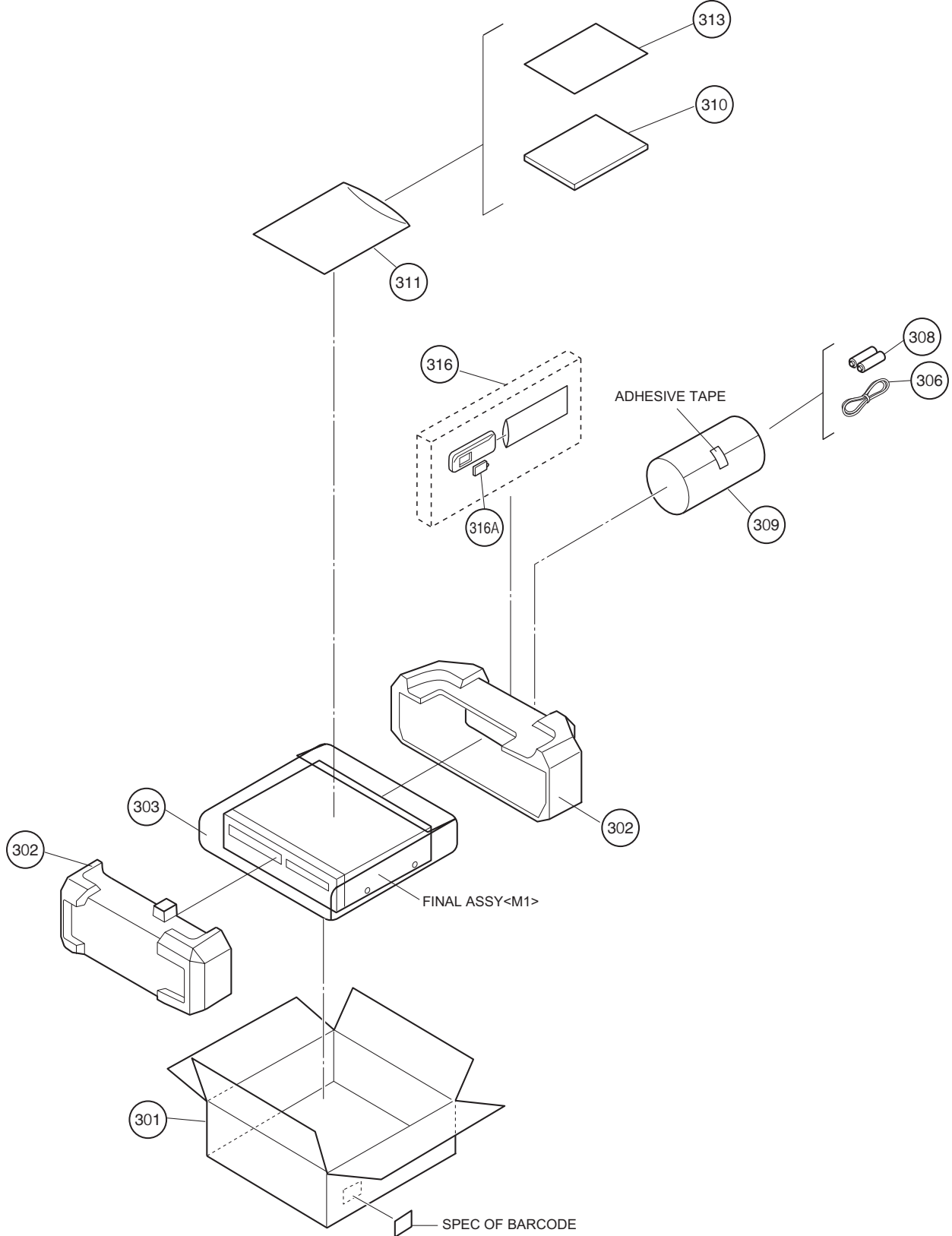
MODEL	MARK
HR-XV32EX	A
HR-XV32EY	B
HR-XV32EZ	C

△ Symbol No.	Part No.	Part Name	Description	Local	△ Symbol No.	Part No.	Part Name	Description	Local
R308	NRSA63J-0R0X	MG RESISTOR	0Ω 1/16W J		K204	NQR0339-001X	FERRITE BEADS		
R309	NRSA63J-473X	MG RESISTOR	47kΩ 1/16W J		K501	NQR0339-001X	FERRITE BEADS		
R313	NRSA63J-473X	MG RESISTOR	47kΩ 1/16W J		K504	NQR0339-001X	FERRITE BEADS		
R317	NRSA63J-473X	MG RESISTOR	47kΩ 1/16W J		K519	NQR0339-001X	FERRITE BEADS		
R320	NRSA63J-105X	MG RESISTOR	1MΩ 1/16W J		K555	NQR0129-002X	FERRITE BEADS		
R321	NRSA63J-473X	MG RESISTOR	47kΩ 1/16W J		K556	NQR0406-003X	FERRITE BEADS		
R323	NRSA63J-473X	MG RESISTOR	47kΩ 1/16W J		K557	NQR0406-003X	FERRITE BEADS		
R324	NRSA63J-473X	MG RESISTOR	47kΩ 1/16W J		K558	NQR0406-003X	FERRITE BEADS		
R325	NRSA63J-123X	MG RESISTOR	12kΩ 1/16W J		K559	NQR0406-003X	FERRITE BEADS		
R326	NRSA63J-473X	MG RESISTOR	47kΩ 1/16W J		K560	NQR0129-002X	FERRITE BEADS		
R327	NRSA63J-105X	MG RESISTOR	1MΩ 1/16W J		K562	NRSA63J-0R0X	MG RESISTOR	0Ω 1/16W J	
R328	NRSA63J-153X	MG RESISTOR	15kΩ 1/16W J		K563	NRSA63J-0R0X	MG RESISTOR	0Ω 1/16W J	
R329	NRSA63J-473X	MG RESISTOR	47kΩ 1/16W J		K564	NRSA63J-0R0X	MG RESISTOR	0Ω 1/16W J	
R330	NRSA63J-473X	MG RESISTOR	47kΩ 1/16W J		K565	NRSA63J-0R0X	MG RESISTOR	0Ω 1/16W J	
R331	NRSA63J-473X	MG RESISTOR	47kΩ 1/16W J		K566	NRSA63J-0R0X	MG RESISTOR	0Ω 1/16W J	
R332	NRSA63J-102X	MG RESISTOR	1kΩ 1/16W J		K567	NRSA63J-0R0X	MG RESISTOR	0Ω 1/16W J	
R333	NRSA63J-183X	MG RESISTOR	18kΩ 1/16W J		K568	NRSA63J-0R0X	MG RESISTOR	0Ω 1/16W J	
R334	NRSA63J-102X	MG RESISTOR	1kΩ 1/16W J		K569	NRSA63J-0R0X	MG RESISTOR	0Ω 1/16W J	
R336	NRSA63J-273X	MG RESISTOR	27kΩ 1/16W J		K570	NRSA63J-0R0X	MG RESISTOR	0Ω 1/16W J	
R337	NRSA63J-273X	MG RESISTOR	27kΩ 1/16W J		X301	NAX0566-001X	C RESONATOR	16.934MHZ	
R338	NRSA63J-472X	MG RESISTOR	4.7kΩ 1/16W J		X571	NAX0550-001X	CRYSTAL	27.000MHZ	
R339	NRSA63J-472X	MG RESISTOR	4.7kΩ 1/16W J						
R340	NRSA63J-103X	MG RESISTOR	10kΩ 1/16W J						
R341	NRSA63J-562X	MG RESISTOR	5.6kΩ 1/16W J						
R342	NRSA63J-0R0X	MG RESISTOR	0Ω 1/16W J						
R343	NRSA63J-103X	MG RESISTOR	10kΩ 1/16W J						
R344	NRSA63J-103X	MG RESISTOR	10kΩ 1/16W J						
R345	NRSA63J-681X	MG RESISTOR	680Ω 1/16W J						
R403	NRSA63J-100X	MG RESISTOR	10Ω 1/16W J						
R404	NRSA63J-332X	MG RESISTOR	3.3kΩ 1/16W J						
R501	NRSA63J-470X	MG RESISTOR	47Ω 1/16W J						
R511	NRSA63J-0R0X	MG RESISTOR	0Ω 1/16W J						
R512	NRSA63J-0R0X	MG RESISTOR	0Ω 1/16W J						
R513	NRSA63J-0R0X	MG RESISTOR	0Ω 1/16W J						
R515	NRSA63J-102X	MG RESISTOR	1kΩ 1/16W J						
R516	NRSA63J-0R0X	MG RESISTOR	0Ω 1/16W J						
R518	NRSA63J-0R0X	MG RESISTOR	0Ω 1/16W J						
R520	NRSA63J-0R0X	MG RESISTOR	0Ω 1/16W J						
R523	NRSA63J-102X	MG RESISTOR	1kΩ 1/16W J						
R524	NRSA63J-0R0X	MG RESISTOR	0Ω 1/16W J						
R525	NRSA63J-0R0X	MG RESISTOR	0Ω 1/16W J						
R526	NRSA63J-102X	MG RESISTOR	1kΩ 1/16W J						
R527	NRSA63J-102X	MG RESISTOR	1kΩ 1/16W J						
R528	NRSA63J-102X	MG RESISTOR	1kΩ 1/16W J						
R529	NRSA63J-102X	MG RESISTOR	1kΩ 1/16W J						
R550	NRSA63J-471X	MG RESISTOR	470Ω 1/16W J						
R565	NRSA63J-103X	MG RESISTOR	10kΩ 1/16W J						
R566	NRVA63D-122X	CMF RESISTOR	1.2kΩ 1/16W D						
R567	NRVA63D-102X	CMF RESISTOR	1kΩ 1/16W D						
R568	NRVA63D-102X	CMF RESISTOR	1kΩ 1/16W D						
R569	NRVA63D-102X	CMF RESISTOR	1kΩ 1/16W D						
R570	NRSA63J-100X	MG RESISTOR	10Ω 1/16W J						
R572	NRVA63D-102X	CMF RESISTOR	1kΩ 1/16W D						
R573	NRSA63J-162X	MG RESISTOR	1.6kΩ 1/16W J						
R574	NRSA63J-162X	MG RESISTOR	1.6kΩ 1/16W J						
R575	NRSA63J-151X	MG RESISTOR	150Ω 1/16W J						
R576	NRSA63J-151X	MG RESISTOR	150Ω 1/16W J						
R578	NRSA63J-151X	MG RESISTOR	150Ω 1/16W J						
R583	NRSA63J-101X	MG RESISTOR	100Ω 1/16W J						
R584	NRSA63J-332X	MG RESISTOR	3.3kΩ 1/16W J						
R589	NRSA63J-0R0X	MG RESISTOR	0Ω 1/16W J						
R590	NRSA63J-0R0X	MG RESISTOR	0Ω 1/16W J						
R591	NRSA63J-0R0X	MG RESISTOR	0Ω 1/16W J						
R592	NRSA63J-0R0X	MG RESISTOR	0Ω 1/16W J						
R593	NRSA63J-0R0X	MG RESISTOR	0Ω 1/16W J						
R594	NRSA63J-0R0X	MG RESISTOR	0Ω 1/16W J						
L501	NQL044K-100X	COIL		10uH K					
CN101	QGF0523F1-24W	CONNECTOR		FFC/FPC (1-24)					
CN201	QGF1016F2-15W	CONNECTOR		FFC/FPC (1-15)					
CN202	QGF1016F2-05W	CONNECTOR		FFC/FPC (1-5)					
CN501	QGB2027L1-22X	CONNECTOR		B-B (1-22)					
CN502	QGB2027L1-22X	CONNECTOR		B-B (1-22)					
K101	NRSA02J-680X	MG RESISTOR		68Ω 1/10W J					
K201	NQR0129-002X	FERRITE BEADS							
K202	NQR0129-002X	FERRITE BEADS							
K203	NQR0339-001X	FERRITE BEADS							

Packing materials and accessories parts list

Block No. M5MM

The instruction manual to be provided with this product will differ according to the destination.



MODEL	MARK
HR-XV32EX	A
HR-XV32EY	B
HR-XV32EZ	C

Packing and accessories

Block No. [M][5][M][M]

△ Symbol No.	Part No.	Part Name	Description	Local
301	LP31296-004A	PACKING CASE		
302	LP31295-001B	CUSHION ASSY		
303	LP41038-001A	POLY BAG		
306	QAM0002-001	RF CABLE		
308	-----	BATTERY	R6 TYPE(x2)	
309	QPC02202230P	POLY BAG	22cm x 22cm	
△ 310	LPT0970-001A	INST.BOOK	(ENGLISH)	A
△ 310	LPT0970-002A	INST.BOOK	(GERMAN)	A
△ 310	LPT0970-003A	INST.BOOK	(FRENCH)	A
△ 310	LPT0970-004A	INST.BOOK	(DUCH)	A
△ 310	LPT0970-005A	INST.BOOK	(SPANISH)	A
△ 310	LPT0970-006A	INST.BOOK	(ITALIAN)	A
△ 310	LPT0970-011A	INST.BOOK	(PORTUGUESE)	A
△ 310	LPT0970-012A	INST.BOOK	(GREEK)	A
△ 310	LPT0970-007A	INST.BOOK	(DANISH)	A,B
△ 310	LPT0970-008A	INST.BOOK	(FINNISH)	A,B
△ 310	LPT0970-009A	INST.BOOK	(SWEDISH)	A,B
△ 310	LPT0970-010A	INST.BOOK	(NORWGIAN)	A,B
△ 310	LPT0970-013A	INST.BOOK	(CZECH)	A,C
△ 310	LPT0970-014A	INST.BOOK	(POLISH)	A,C
△ 310	LPT0970-015A	INST.BOOK	(HUNGARIAN)	A,C
311	QPC02503530P	POLY BAG	25cm x 35cm	
313	BT-54023-1	WARRANTY CARD		
316	LP21036-036A	REMOCON		
316A	LP40254-004A	COVER(BATTERY)		

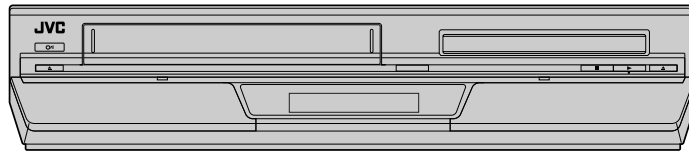
JVC

SCHEMATIC DIAGRAMS

DVD PLAYER & VIDEO CASSETTE RECORDER

HR-XV32EX, HR-XV32EY, HR-XV32EZ

CD-ROM No.SML200410



HR-XV32EX, HR-XV32EY, HR-XV32EZ [D3PV1]

SHOWVIEW®

VHS
PAL

DVD
VIDEO

Hi-Fi

SQPB

dtc
DIGITAL OUT

DOLBY
DIGITAL

3D
3D-PHONIC

COMPACT
disc
DIGITAL VIDEO

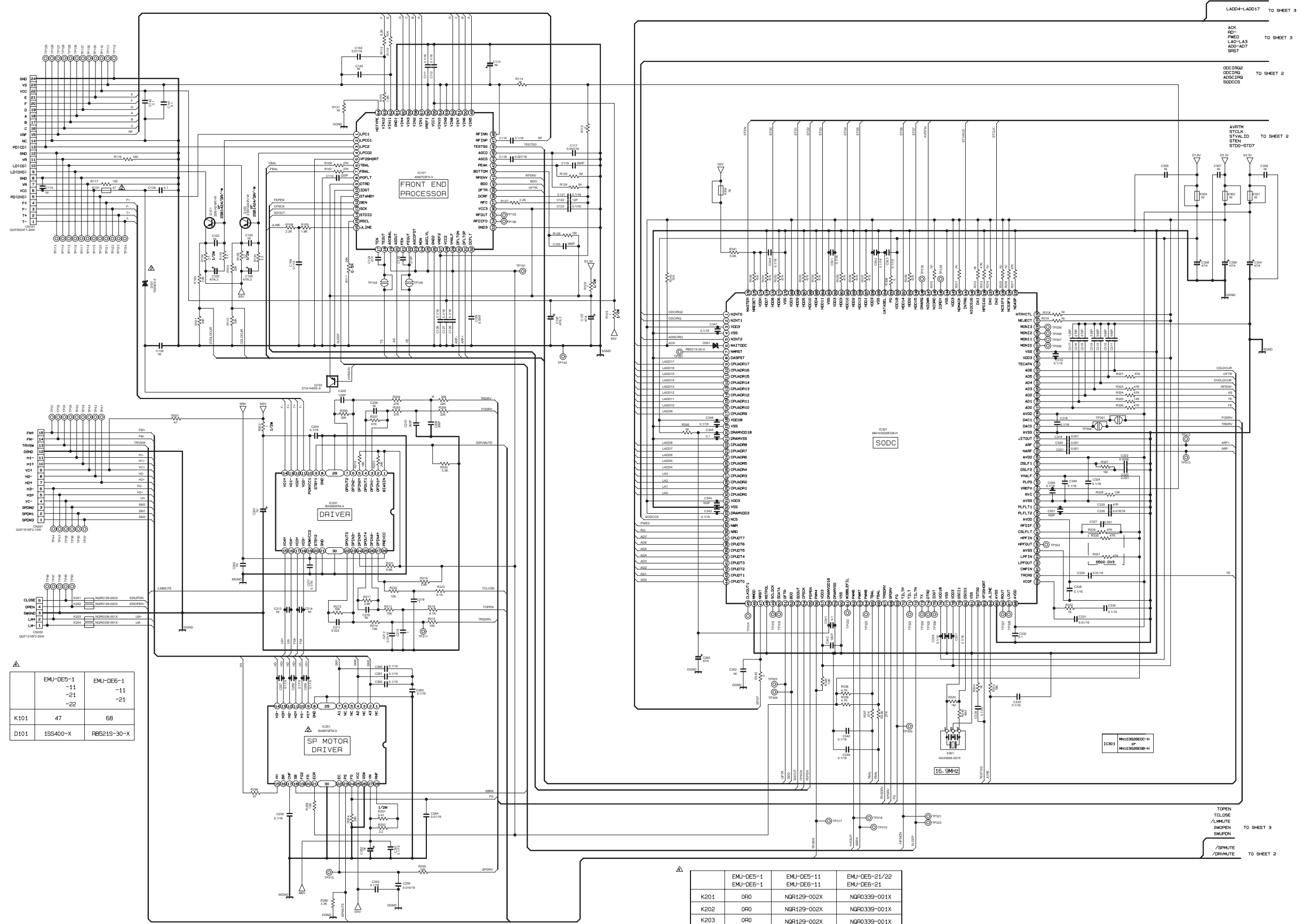
COMPACT
disc
DIGITAL AUDIO

COMPACT
disc
SUPER VIDEO

For disassembling and assembling of MECHANISM ASSEMBLY, refer to the SERVICE MANUAL No.86700 (MECHANISM ASSEMBLY).
Regarding service information other than these sections, refer to the service manual No. YD002 (HR-XV3EX).
Also, be sure to note important safety precautions provided in the service manual.

CHARTS AND DIAGRAMS

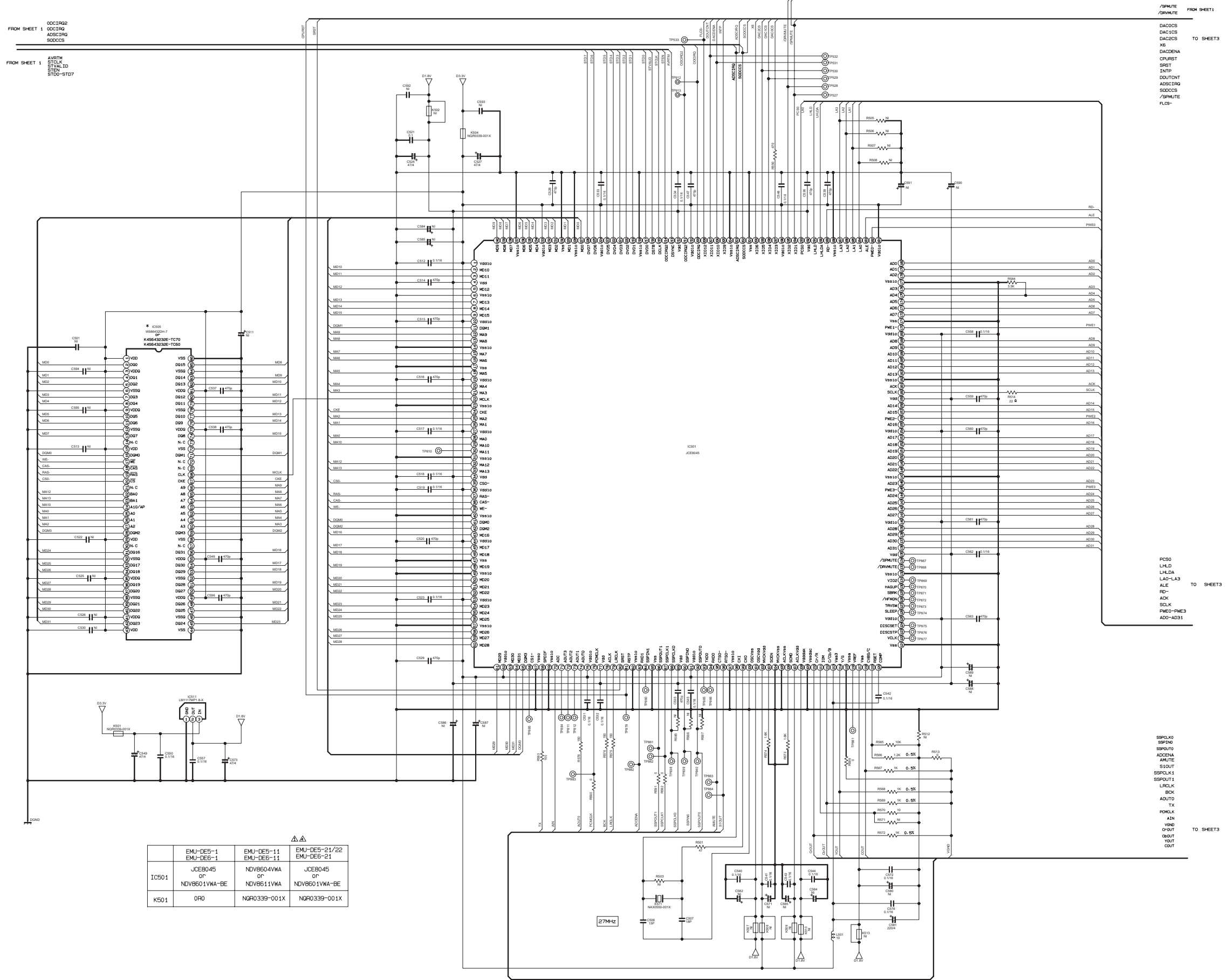
■ DVD SERVO CONTROL SCHEMATIC DIAGRAM



	EMU-DE5-1	EMU-DE6-1
	-11	-11
	-21	-21
	-22	-21
K101	47	68
D101	1SS400-X	FB521S-30-X

	EMU-DE5-1	EMU-DE5-11	EMU-DE5-21/22
	EMU-DE6-1	EMU-DE6-11	EMU-DE6-21
K201	0R0	NGR129-002X	NGR0339-001X
K202	0R0	NGR129-002X	NGR0339-001X
K203	0R0	NGR129-002X	NGR0339-001X
K204	0R0	NGR129-002X	NGR0339-001X

DVD AV DECODER SCHEMATIC DIAGRAM



5

4

3

2

1

A

B

C

2-3 D

2-4

E

F

G

DVD FLASH ROM SCHEMATIC DIAGRAM

5

4

3

2

1

FROM SHEET 2
FLCS-
DAC2CS
DAC3CS
X8
DAC2ENA
CPURST
SRST
INTP
DOUTCONT
ADSC19G
SDDCS
ZPMUTE

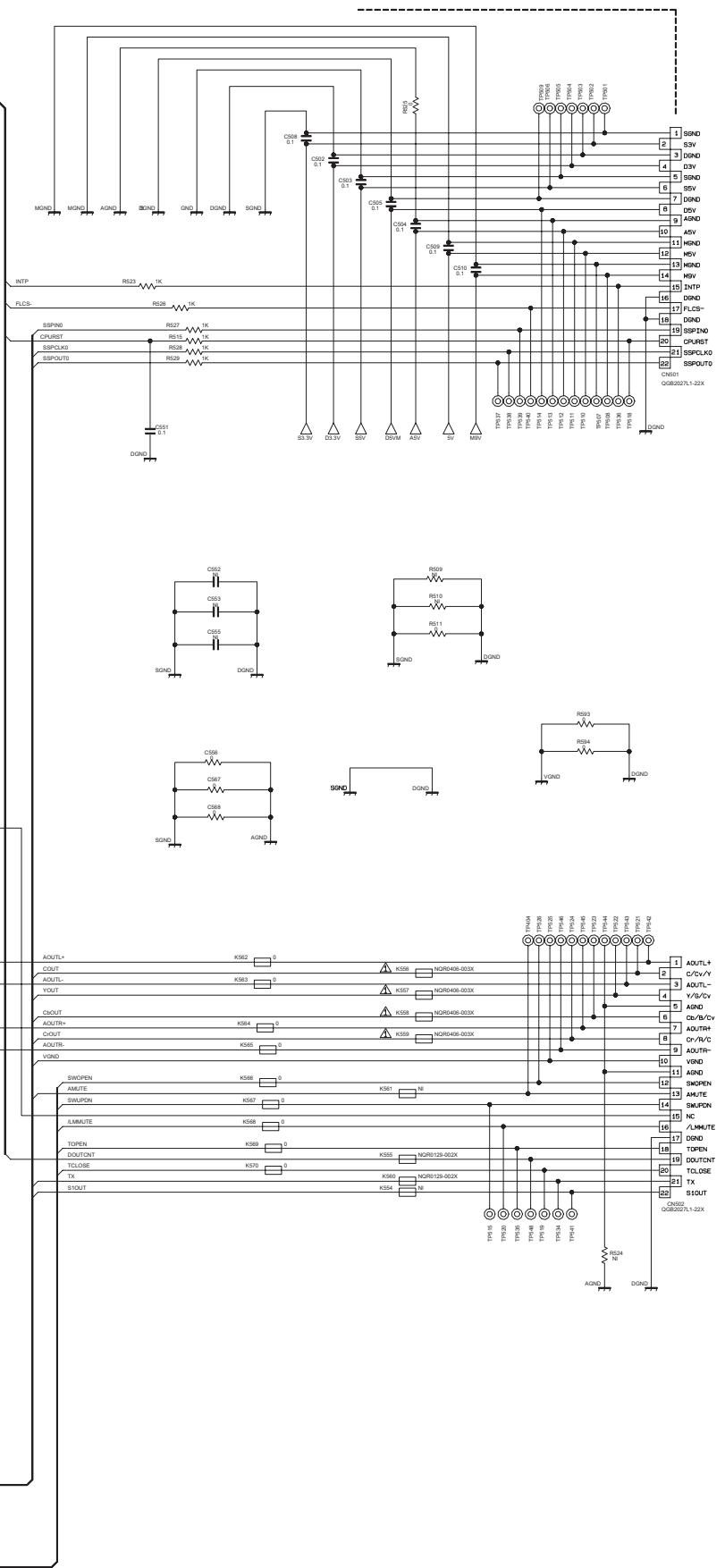
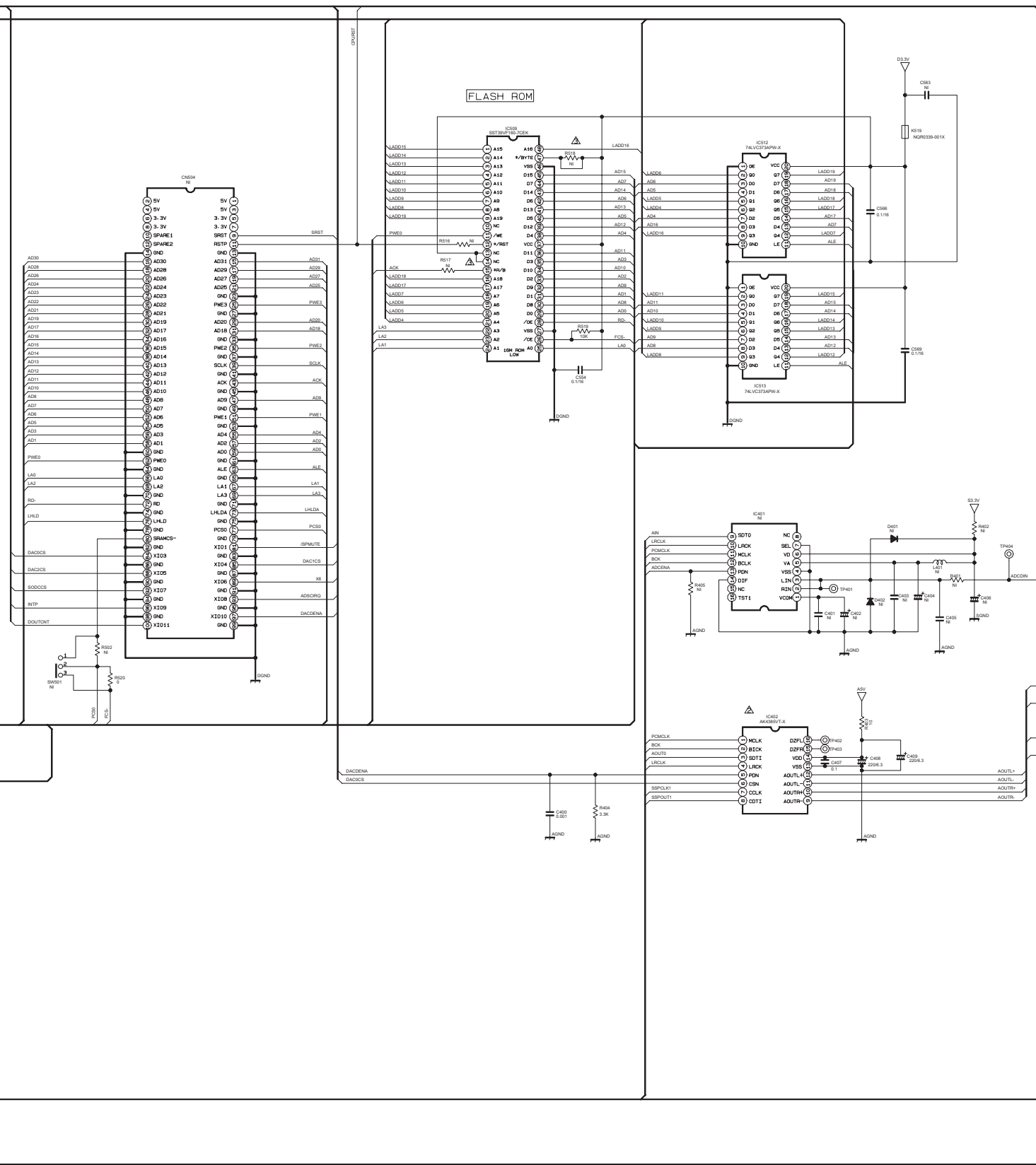
FROM SHEET 1
LAD04-LAD07

FROM SHEET 2
PCSD
LHLD
LHLD0A
LAD-LA3
ALE
RD-
ADK
SCLK
PWE3-PWE3
ADD-AD31

FROM SHEET 1
PWE3
RCK
RD-
LAD-LA3
ADD-AD7
SRST

FROM SHEET 2
SSPOLK0
SSPMD
SSPMDT0
PCKCLK
A2N
S1OUT
SSPOLK1
SSPMDT1
LRSCLK
BCK
ADU70
TX
COUT
YOUT
COUT
VEND

FROM SHEET 1
TOPEN
TGL0SE
SMUPON
SMOPEN
/LMUTE



VOLTAGE CHARTS

<C>

IC101		IC201		IC301		IC501		IC505		IC509	
NO	DC(V)	NO	DC(V)	NO	DC(V)	NO	DC(V)	NO	DC(V)	NO	DC(V)
1	0V	1	1.7V	1	0V	51	3.3V	101	0.7V	1	0V
2	4.4V	2	1.7V	2	2.9V	52	3.3V	102	0V	2	0V
3	3.7V	3	1.7V	3	3.3V	53	0.9V	103	1.4V	3	0V
4	4.4V	4	1.7V	4	0V	54	1.0V	104	2.1V	4	0V
5	0V	5	1.7V	5	3.3V	55	3.1V	105	2.1V	5	0V
6	1.7V	6	1.7V	6	3.3V	56	3.1V	106	1.7V	6	0V
7	1.7V	7	1.7V	7	2.7V	57	3.3V	107	0.7V	7	0V
8	1.9V	8	0V	8	0V	58	1.9V	108	0.7V	8	0V
9	3.3V	9	3.2V	9	0V	59	0V	109	3.3V	9	0V
10	0V	10	5.0V	10	0V	60	0V	110	1.7V	10	0V
11	3.3V	11	2.5V	11	3.3V	61	0.8V	111	1.7V	11	3.2V
12	3.3V	12	2.5V	12	3.3V	62	0.8V	112	0V	12	0V
13	3.3V	13	2.5V	13	3.3V	63	0.7V	113	0V	13	0V
14	3.3V	14	2.5V	14	0V	64	1.6V	114	1.7V	14	0V
15	0V	15	4.3V	15	1.4V	65	1.7V	115	1.7V	15	0V
16	1.7V	16	4.3V	16	0.3V	66	1.7V	116	3.3V	16	0V
17	1.5V	17	4.3V	17	1.4V	67	1.7V	117	1.7V	17	0V
18	1.7V	18	4.3V	18	1.7V	68	1.7V	118	1.7V	18	0V
19	1.7V	19	9.2V	19	0V	69	3.3V	119	1.7V	19	0V
20	0V	20	0V	20	1.9V	70	3.1V	120	1.7V	20	0V
21	1.7V	21	0V	21	0V	71	1.0V	121	2.1V	21	0V
22	0V	22	1.7V	22	2.2V	72	3.1V	122	1.7V	22	0V
23	1.7V	23	1.7V	23	2.2V	73	1.0V	123	2.1V	23	0V
24	0.9V	24	1.7V	24	1.7V	74	3.1V	124	1.0V	24	0V
25	1.7V	25	0V	25	1.5V	75	1.0V	125	3.3V	25	0V
26	0V	26	0V	26	1.5V	76	1.7V	126	0V	26	0V
27	0V	27	1.7V	27	1.5V	77	0V	127	0V	27	0V
28	4.9V	28	9.2V	28	1.5V	78	3.3V	128	0V	28	3.2V
29	1.7V	29	1.7V	29	1.5V	79	1.7V	129	0V	29	0V
30	0V	30	9.2V	30	0.5V	80	0V	130	0V	30	0V
31	0V	31	0V	31	3.3V	81	0V	131	2.5V	31	0V
32	0V	32	0V	32	0V	82	0.8V	132	0V	32	0V
33	0V	33	0V	33	3.3V	83	2.1V	133	0V	33	0V
34	0V	34	0V	34	3.3V	84	1.7V	134	0V	34	0V
35	0.9V	35	0.8V	35	3.3V	85	0V	135	0V	35	0V
36	3.3V	36	3.3V	36	3.3V	86	1.4V	136	1.7V	36	0V
37	1.3V	37	0V	37	0V	87	1.4V	137	3.3V	37	0V
38	0.9V	38	0V	38	0V	88	3.3V	138	0V	38	0V
39	3.3V	39	3.3V	39	0V	89	0V	139	3.3V	39	0V
40	3.3V	40	0V	40	0V	90	1.6V	140	0V	40	0V
41	1.7V	41	0V	41	0V	91	1.6V	141	0V	41	0V
42	1.7V	42	0V	42	0V	92	1.2V	142	0V	42	0V
43	1.7V	43	5.0V	43	1.0V	93	1.6V	143	3.3V	43	0V
44	1.0V	44	5.0V	44	0V	94	0V	144	0V	44	0V
45	1.7V	45	5.0V	45	1.5V	95	0.7V	145	0V	45	0V
46	2.1V	46	5.0V	46	0V	96	1.6V	146	1.7V	46	0V
47	2.1V	47	5.0V	47	3.3V	97	1.7V	147	3.3V	47	0V
48	2.1V	48	5.0V	48	0V	98	1.6V	148	0V	48	0V
49	2.1V	49	5.0V	49	3.1V	99	3.3V	149	0V	49	0V
50	2.1V	50	5.0V	50	3.1V	100	0.7V	150	0V	50	0V
51	2.1V	51	0V	51	0V	151	0V	201	3.3V	51	0V
52	2.1V	52	0V	52	1.7V	152	1.7V	202	3.3V	52	0V
53	2.1V	53	0V	53	0V	153	0V	203	3.3V	53	0V
54	2.1V	54	1.67V	54	1.7V	154	1.7V	204	3.3V	54	0V
55	4.9V	55	0V	55	0V	155	0V	205	3.3V	55	0V
56	2.1V	56	3.3V	56	3.3V	156	3.3V	206	3.3V	56	0V
57	2.1V	57	5.0V	57	0V	157	0V	207	3.2V	57	0V
58	2.1V	58	9.2V	58	0V	158	0V	208	3.3V	58	0V
59	2.1V	59	9.2V	59	0V	159	0V	209	3.3V	59	0V
60	2.1V	60	9.2V	60	0V	160	0V	210	3.2V	60	0V
61	0V	61	0V	61	0V	161	0V	211	3.3V	61	0V
62	2.1V	62	0V	62	0V	162	0V	212	1.7V	62	0V
63	2.1V	63	0V	63	0V	163	0V	213	3.2V	63	0V
64	1.6V	64	0V	64	0V	164	0V	214	3.2V	64	0V
65	0V	65	0V	65	0V	165	0V	215	0V	65	0V
66	0V	66	0V	66	0V	166	0V	216	0V	66	0V
67	0V	67	0V	67	0V	167	0V	217	3.2V	67	0V
68	0V	68	0V	68	0V	168	0V	218	0V	68	0V
69	0V	69	0V	69	0V	169	0V	219	3.2V	69	0V
70	0V	70	0V	70	0V	170	0V	220	3.2V	70	0V
71	0V	71	0V	71	0V	171	0V	221	0V	71	0V
72	0V	72	0V	72	0V	172	0V	222	3.2V	72	0V
73	0V	73	0V	73	0V	173	0V	223	3.2V	73	0V
74	0V	74	0V	74	0V	174	0V	224	3.2V	74	0V
75	0V	75	0V	75	0V	175	0V	225	0V	75	0V
76	0V	76	0V	76	0V	176	0V	226	0V	76	0V
77	0V	77	0V	77	0V	177	0V	227	0.8V	77	0V
78	0V	78	0V	78	0V	178	0V	228	0V	78	0V
79	0V	79	0V	79	0V	179	0V	229	0.8V	79	0V
80	0V	80	0V	80	0V	180	0V	230	0V	80	0V
81	0V	81	0V	81	0V	181	3.2V	231	0.8V	81	0V
82	0V	82	0V	82	0V	182	3.2V	232	0.6V	82	0V
83	0V	83	0V	83	0V	183	0V	233	3.2V	83	0V
84	0V	84	0V	84	0V	184	0V	234	3.2V	84	0V
85	0V	85	0V	85	0V	185	3.2V	235	0.8V	85	0V
86	0V	86	0V	86	0V	186	0V	236	1.0V	86	0V
87	0V	87	0V	87	0V	187	0V	237	0V	87	0V
88	0V	88	0V	88	0V	188	0V	238	0.4V	88	0V
89	0V	89	0V	89	0V	189	3.2V	239	0.8V	89	0V
90	0V	90	0V	90	0V	190	0V	240	0.8V	90	0V
91	0V	91	2.9V	91	0V	191	0V	241	0V	91	0V
92	0V	92	3.2V	92	0V	192	1.7V	242	0V	92	0V
93	0V	93	3.2V	93	0V	193	3.2V	243	0V	93	0V
94	0V	94	0V	94	0V	194	0.6V	244	0V	94	0V
95	0V	95	2.9V	95	0V	195	2.9V	245	0V	95	0V
96	0V	96	3.2V	96	0V	196	3.2V	246	0V	96	0V
97	0V	97	3.2V	97	0V	197	3.2V	247	0V	97	0V
98	0V	98	3.2V	98	0V	198	3.2V	248	0V	98	0V
99	0V	99	3.2V	99	0V	199	3.2V	249	0V	99	0V
100	0V	100	3.4V	100	0V	200	3.2V	250	0V	100	0V
101	0V	101	3.4V	101	0V	201	0V	251	0V	101	0V
102	0V	102	3.4V	102	0V	202	3.2V	252	0V	102	0V
103	0V	103	3.4V	103	0V	203	3.2V	253	0V	103	0V
104	0V	104	3.4V	104	0V	204	0V	254	0V	104	0V
105	0V	105	3.4V	105	0V	205	3.4V	255	0V	105	0V
106	0V	106	3.4V	106	0V	206	3.2V	256	0V	106	0V
107	0V	107	3.4V	107	0V	207	3.2V	257	0V	107	0V
108	0V	108	3.4V	108	0V	208	3.3V	258	0V	108	0V
109	0V	109	3.4V	109	0V	209	3.3V	259	0V	109	0V
110	0V	110	3.4V	110	0V	210	3.2V	260	0V	110	0V
111	0V	111	3.4V	111	0V	211	3.3V	261	0V	111	0V
112	0V	112	3.4V	112	0V	212	1.7V	262	0V	112	0V
113	0V	113	3.4V	113	0V	213	3.2V	263	0V	113	0V
114	0V	114	3.4V	114	0V	214	3.2V	264	0V	114	0V
115	0V	115	3.4V	115	0V	215	0V	265	0V	115	0V
116	0V	116	3.4V	116	0V	216	0V	266	0V	116	0V
117	0V	117	3.4V	117	0V	217	3.2V	267	0V	117	0V
118	0V	118	3.4V	118	0V	218	0V	268	0V	118	0V
119	0V	119	3.4V	119	0V	219	3.2V	269	0V	119	0V
120	0V	120	3.4V	120	0V	220	3.2V	270	0V	120	0V
121	0V	121	3.4V	121	0V	221	0V	271	0V	121	0V
122	0V	122	3.4V	122	0V	222	3.2V	272	0V	122	0V
123	0V	123	3.4V	123	0V	223	3.2V	273	0V	123	0V
124	0V	124	3.4V	124	0V	224	3.2V	274	0V	124	0V
125	0V	125	3.4V	125	0V	225	0V	275	0V	125	0V
126	0V	126	3.4V	126	0V	226	0V	276	0V	126	



JVC

Victor Company of Japan, Limited
AV & MULTIMEDIA COMPANY VIDEO DISPLAY CATEGORY 12, 3-chome, Moriya-cho, kanagawa-ku, Yokohama, kanagawa-prefecture, 221-8528, Japan

(No.YD031)